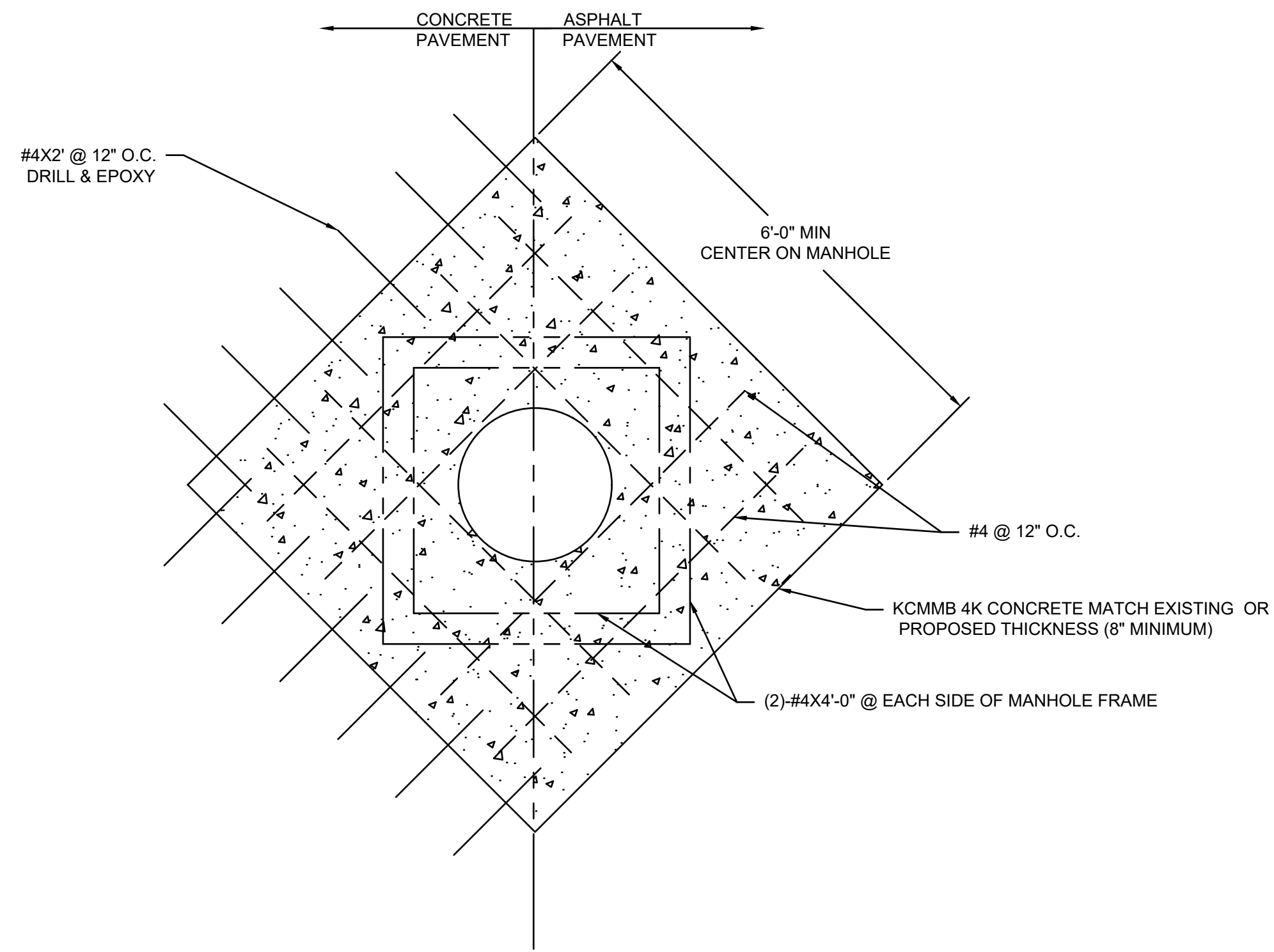
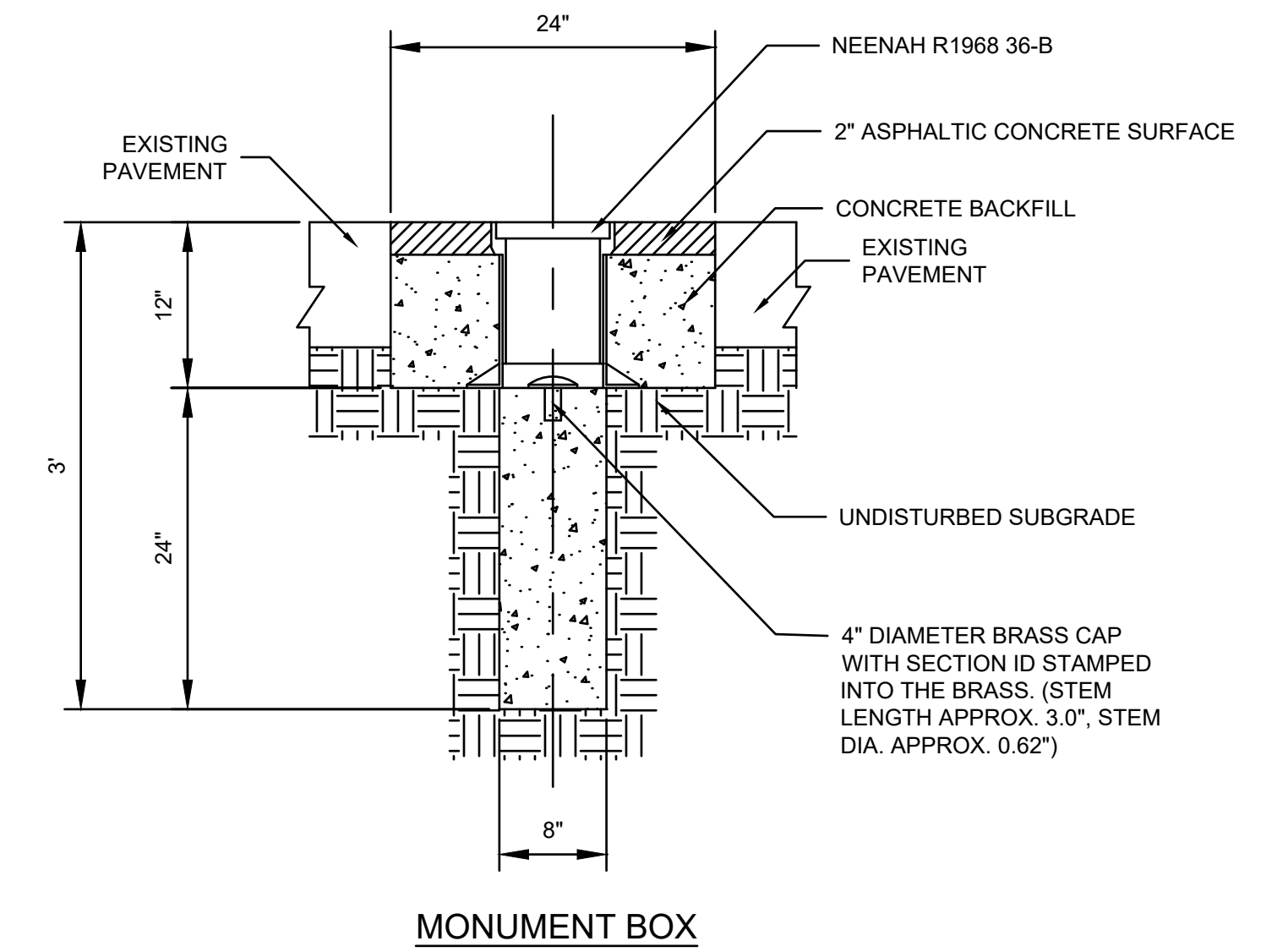


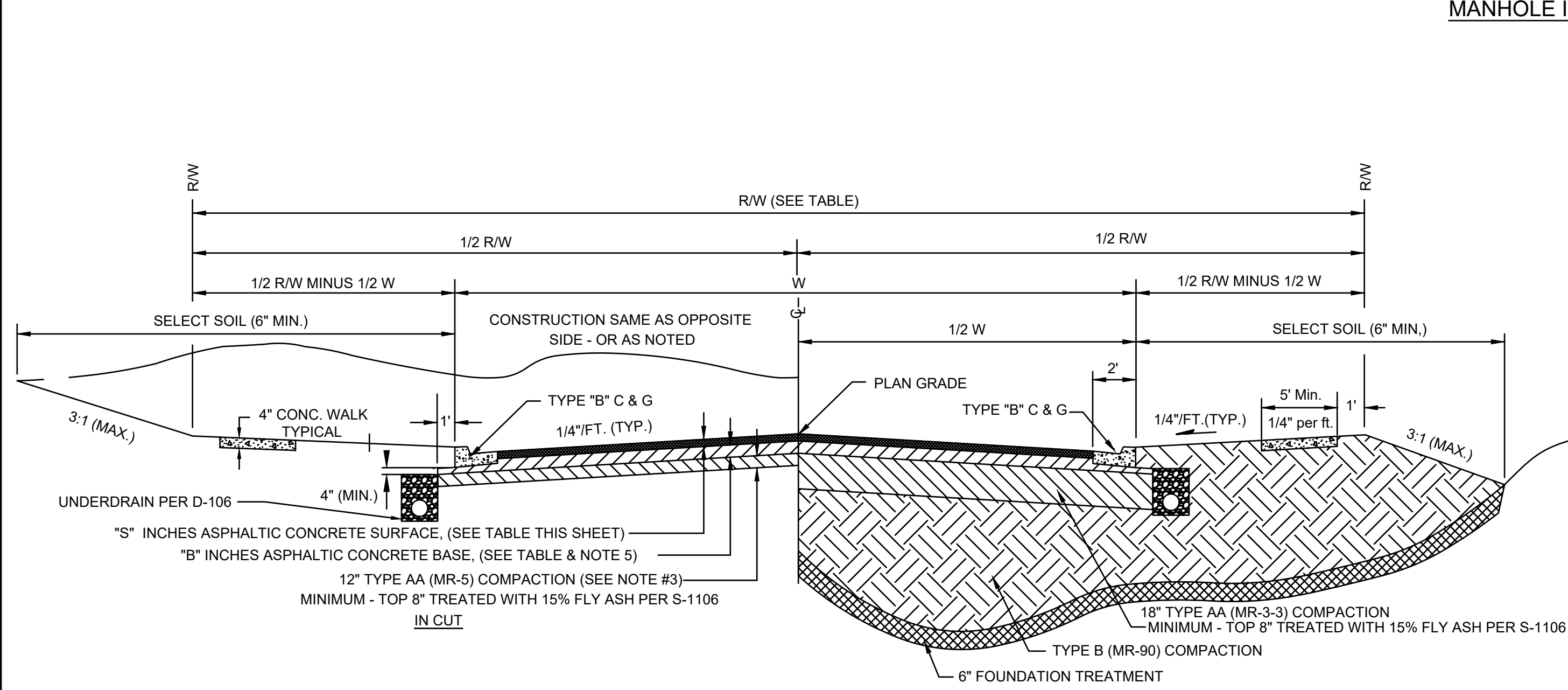
JOINT LAYOUT



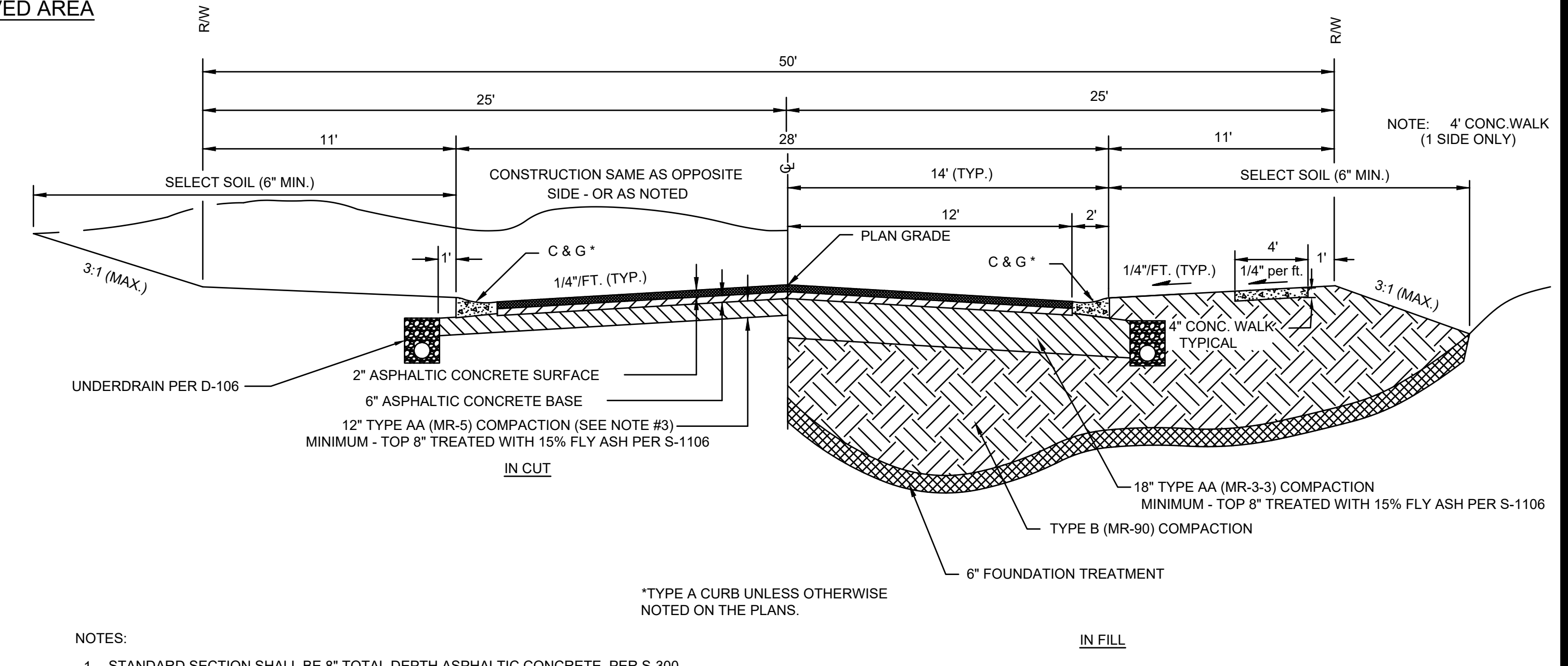
MANHOLE IN PAVED AREA



MONUMENT BOX



MAJOR STREET SECTION



RESIDENTIAL STREET SECTION

- NOTES:
- STANDARD SECTION SHALL BE TOTAL DEPTH ASPHALTIC CONCRETE.
 - ALTERNATE SECTION SHALL BE PORTLAND CEMENT CONCRETE, (AE), WITH MONOLITHIC CURB AND GUTTER. CONCRETE SHALL CONFORM TO THE REQUIREMENTS OF KCMMB-4K CONCRETE. JOINTING PLAN SHALL BE SUBMITTED TO THE CITY ENGINEER FOR REVIEW AND APPROVAL.
 - IF ROCK IS ENCOUNTERED DURING EXCAVATION, AREA IS TO BE UNDERCUT 12", ROCK REMOVED, AND BROUGHT BACK TO GRADE WITH SUITABLE MATERIAL AND RECOMPACTED.
 - SELECT SOIL SHALL BE PLACED BETWEEN THE BACK OF CURB AND TOE OF SLOPE AND ANY DISTURBED AREA THAT IS TO SUPPORT VEGETATION.
 - ASPHALT SHALL EXTEND BENEATH CURB & GUTTER ON COLLECTOR, COMMERCIAL OR INDUSTRIAL STREETS.
 - WHEN THE CONCRETE ALTERNATE IS CHOSEN, THE BARS AND JOINTS SHALL CONFIRM THE THE PORTLAND CEMENT ASSOCIATION PUBLICATION FOR DESIGN AND CONSTRUCTION OF CONCRETE HIGHWAYS. ALL TIE BARS SHALL BE EPOXY COATED.

TABLE

STREET TYPE	MIN. R/W	MIN. W	ASPHALT		CONC.
			B	S	
PRIMARY ARTERIAL	100'	52'	10"	2"	9"
SECONDARY ARTERIAL	80'	48'	9"	2"	8"
COLLECTOR	60'	36"	7"	2"	7"
COMMERCIAL	60'	36'	7"	2"	7"
INDUSTRIAL	60'	36'	7"	2"	7"

*VARIES - SEE DESIGN CRITERIA

- NOTES:
- STANDARD SECTION SHALL BE 8" TOTAL DEPTH ASPHALTIC CONCRETE. PER S-300.
 - ALTERNATE SECTION SHALL BE PORTLAND CEMENT CONCRETE, 6" THICKNESS (AE), WITH MONOLITHIC CURB AND GUTTER, 7" THICKNESS (AE) WITHOUT MONOLITHIC CURB. CONCRETE SHALL CONFORM TO THE REQUIREMENTS OF KCMMB-4K CONCRETE. JOINTING PLAN SHALL BE SUBMITTED TO THE CITY ENGINEER FOR REVIEW AND APPROVAL.
 - IF ROCK IS ENCOUNTERED DURING EXCAVATION, AREA IS TO BE UNDERCUT 12", ROCK REMOVED, AND BROUGHT BACK TO GRADE WITH SUITABLE MATERIAL AND RECOMPACTED.
 - SELECT SOIL SHALL BE PLACED BETWEEN THE BACK OF CURB AND TOE OF SLOPE AND ANY DISTURBED AREA THAT IS TO SUPPORT VEGETATION.
 - WHEN THE CONCRETE ALTERNATE IS CHOSEN, THE BARS AND JOINTS SHALL CONFIRM THE THE PORTLAND CEMENT ASSOCIATION PUBLICATION FOR DESIGN AND CONSTRUCTION OF CONCRETE HIGHWAYS. ALL TIE BARS SHALL BE EPOXY COATED.