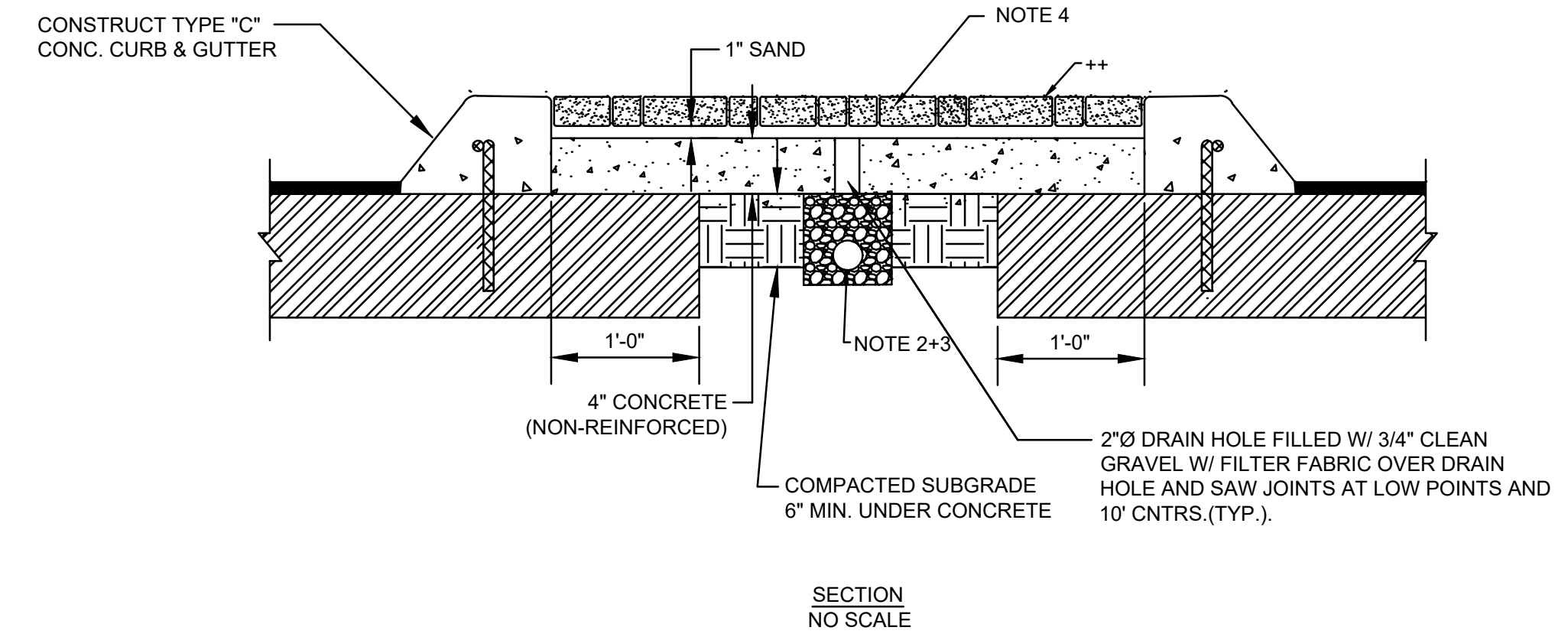


++ PAVING PATTERN
NO SCALE

MOUNTABLE MEDIAN PAVER DETAIL

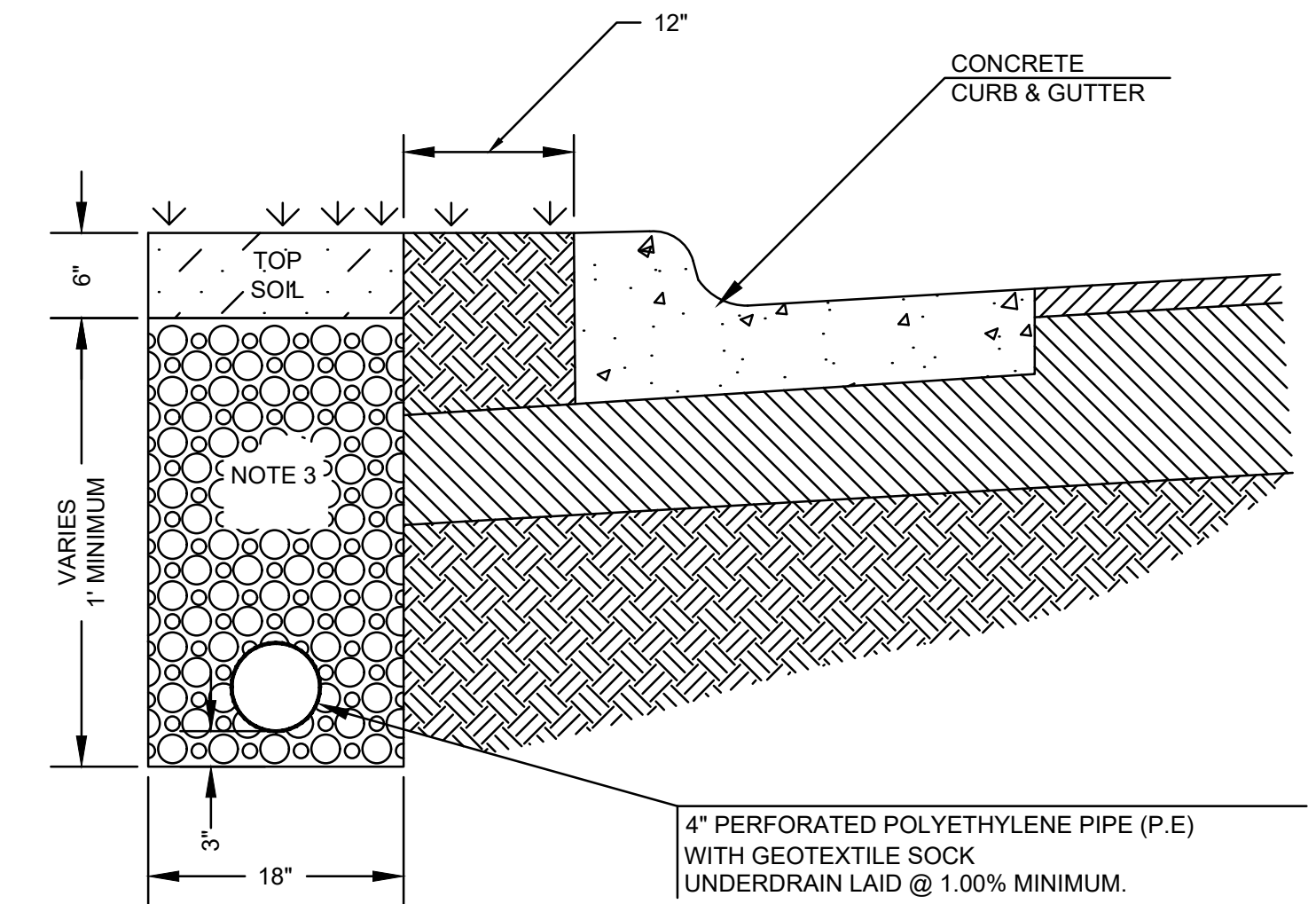


MEDIAN PAVER DETAIL

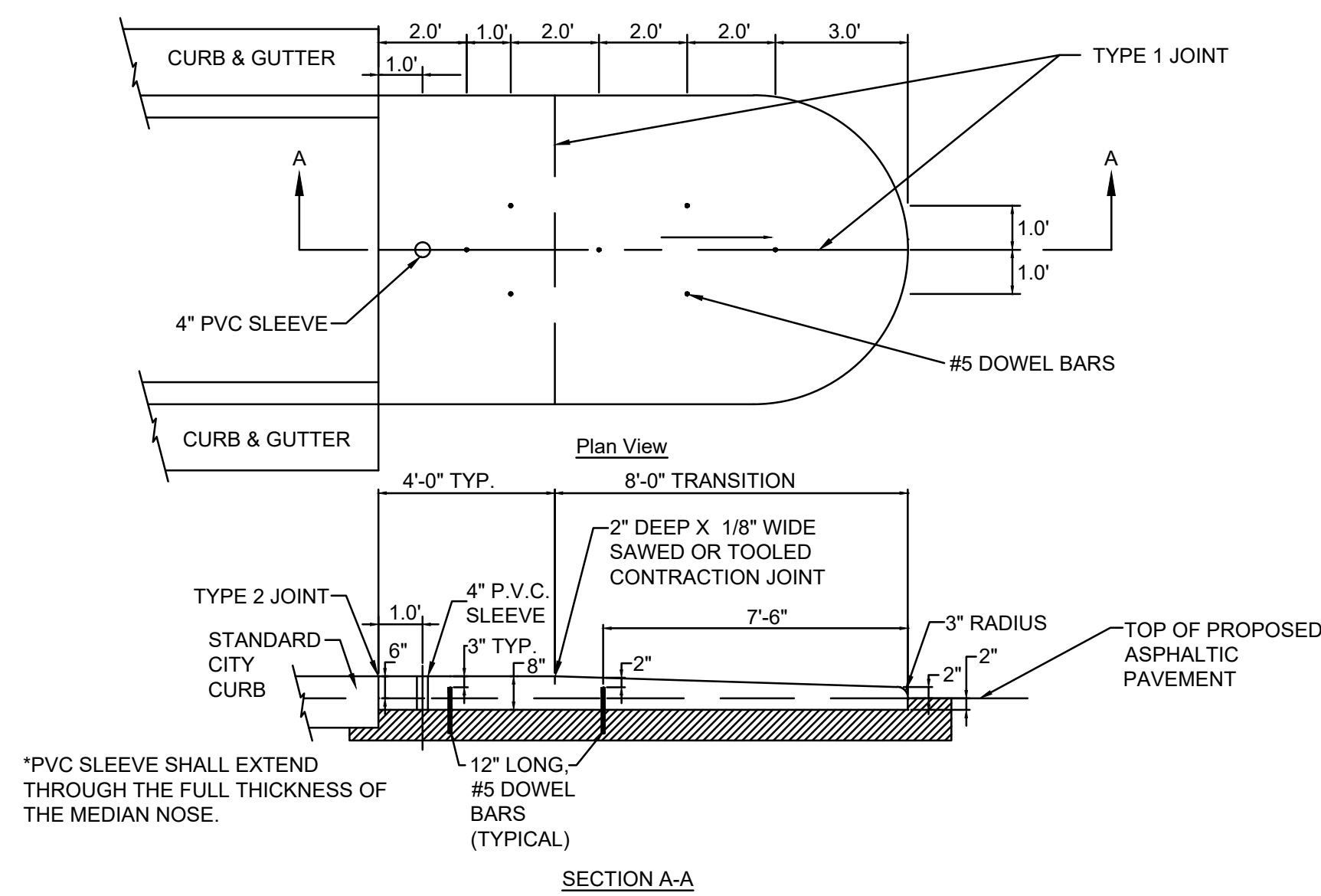
NOTES:

1. UNDERDRAIN SHALL BE INSTALLED AROUND THE PERIMETER OF THE MEDIAN AND CONNECTED TO THE STORM DRAIN SYSTEM.
2. UNDERDRAIN SHALL BE INSTALLED TO THE CENTER OF THE MEDIAN AND CONNECTED TO THE STORM DRAIN SYSTEM.
3. PER TECHNICAL SPECIFICATION S-512 "UNDERDRAINS"
4. CONCRETE PAVERS, PAVESTONE "COBBLE STONE" OR EQUAL
4-9/16"x2-1/4"x2-3/8"
4-9/16"x4-9/16"x2-3/8"
4-9/16"x6-13/16"x2-3/8"

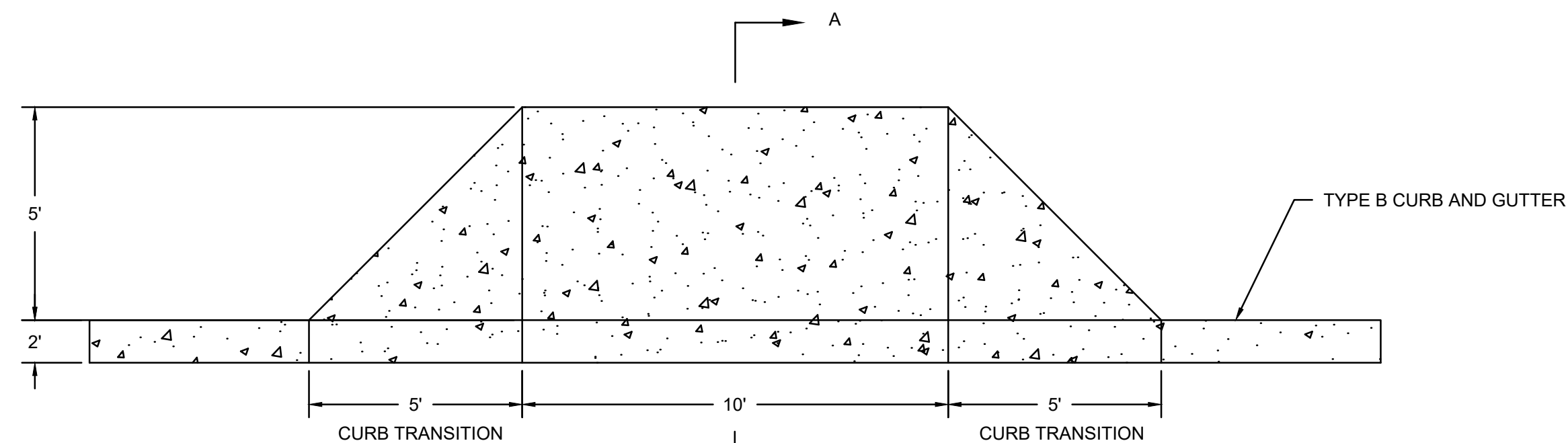
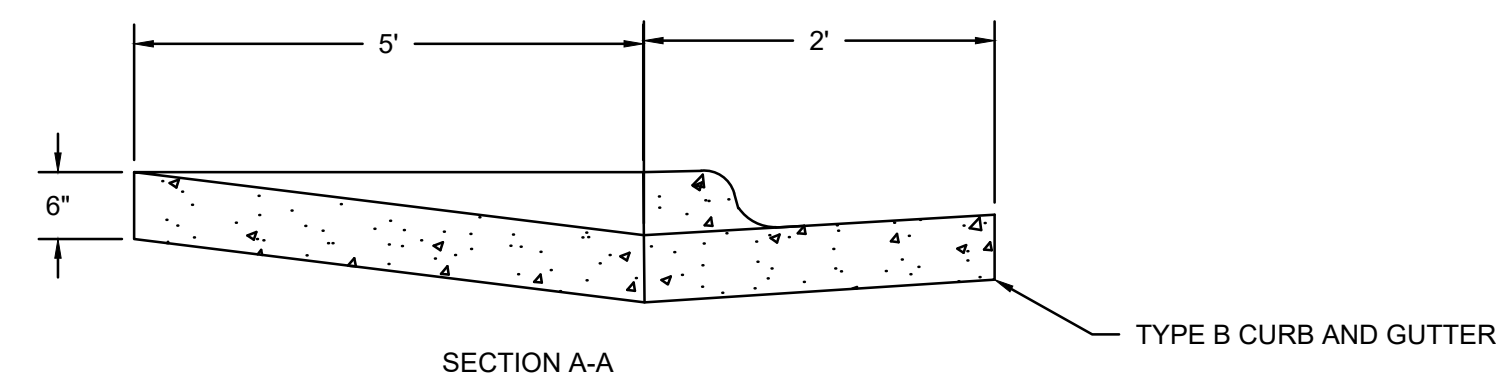
PAVER COLOR
VARIABLE. CONTACT ENGINEERING



ROADWAY UNDERDRAIN DETAIL



MEDIAN NOSE DETAIL



LANDSCAPER ENTRANCE DETAIL

REVISED DATE:	08/17	
DETAILED:	BKC	
APPROVED:	---	
MEDIANS & UNDERDRAINS		SHEET D-106