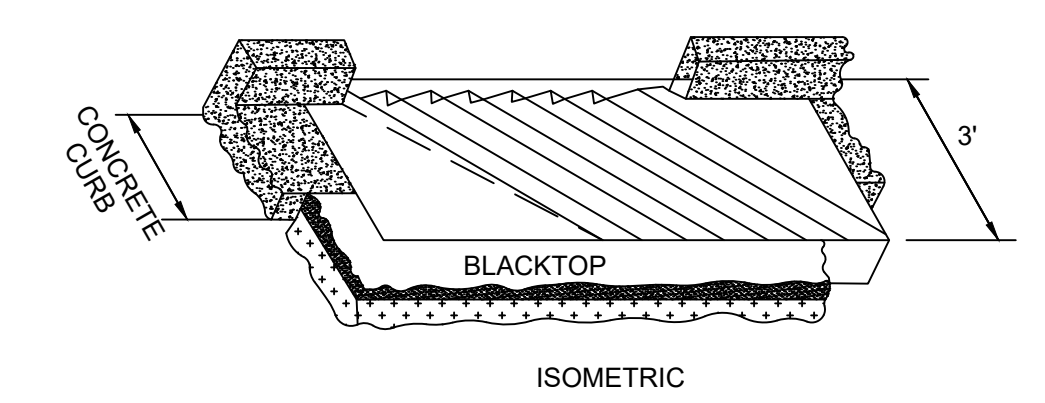
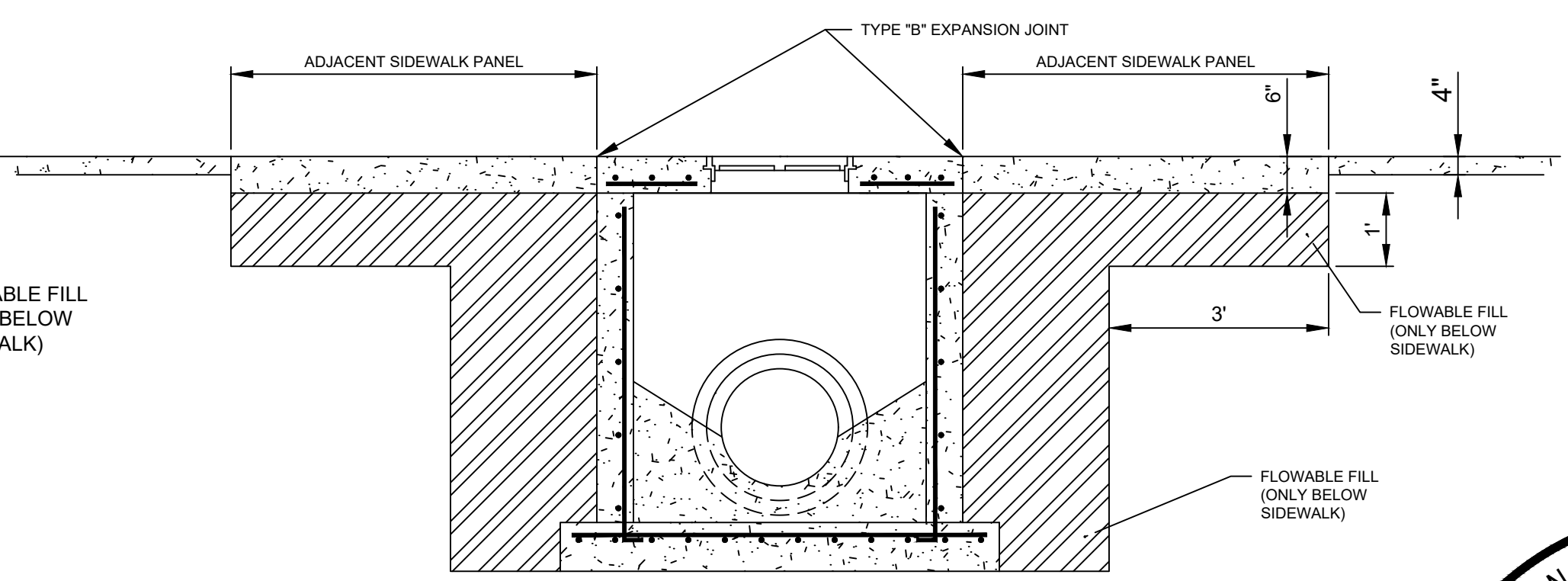
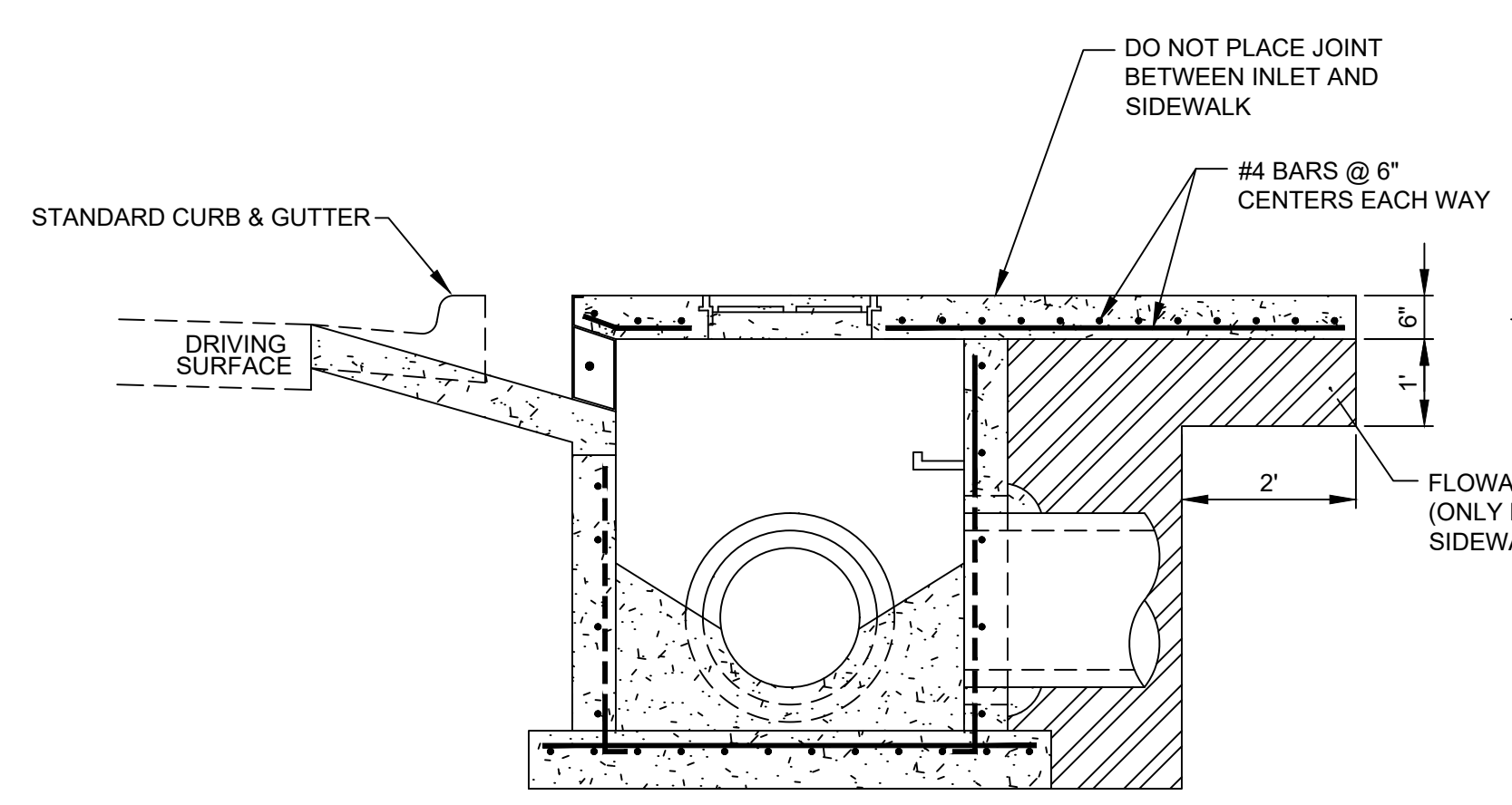
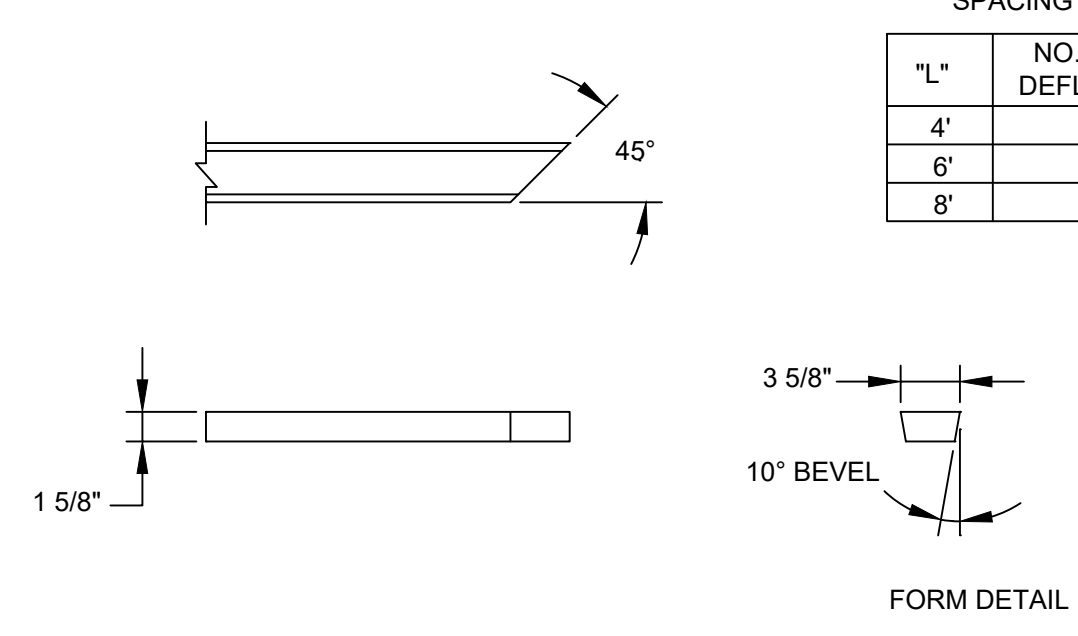


FORMS SHOULD BE WELL OILED AND HAND PLACED AT TIME OF POUR.

AFTER INITIAL SET, REMOVE DEFLECTOR CHANNEL FORMS AND FINISH SURFACE OF CONCRETE.

SPACING

"L"	NO. OF DEFLECTORS
4'	6
6'	9
8'	12



NOTES:

1. FLOWABLE FILL SHALL BE SUBSIDIARY TO CURB INLETS AND SIDEWALK CONSTRUCTION.



RING AND LID DF # 2016 OR APPROVED EQUAL

www.lenexa.com 2018

REVISED DATE:	01/18	
DETAILED:	BKC	
APPROVED:	---	
DRAINAGE DETAILS		SHEET D-202