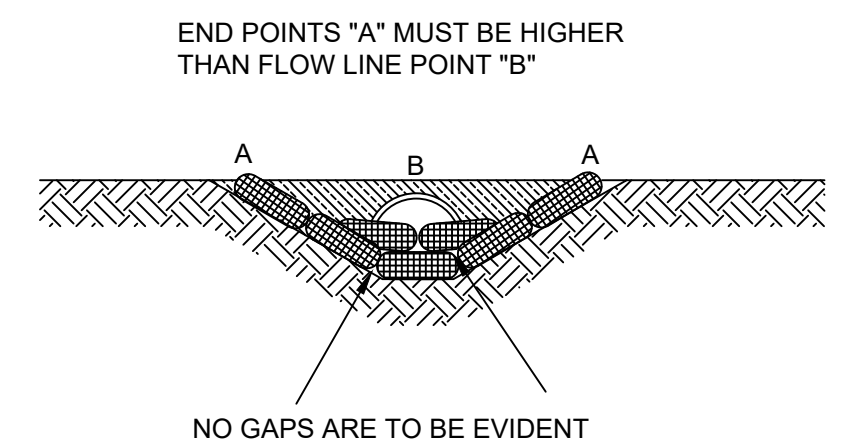
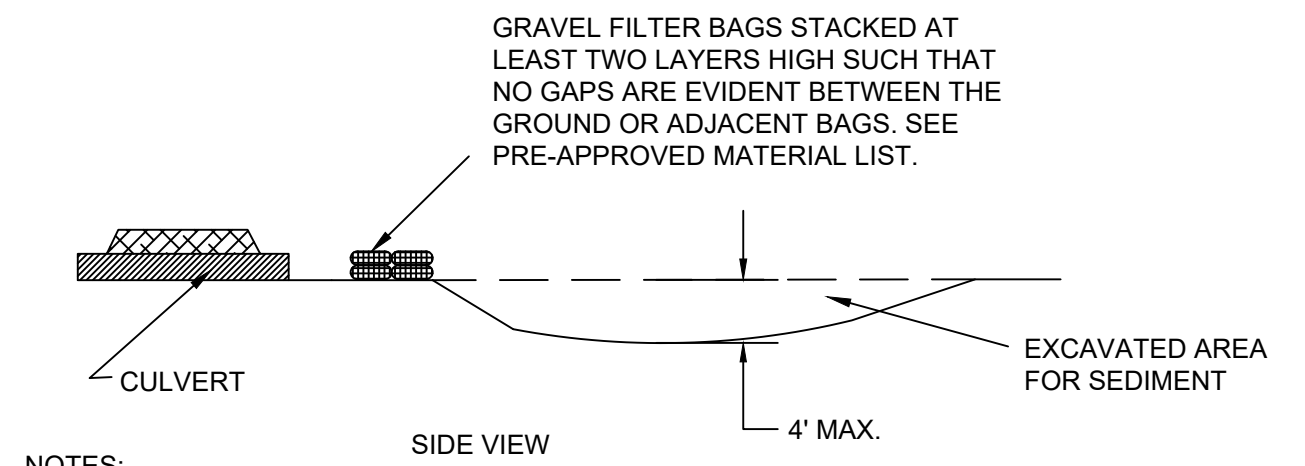


TOP VIEW



FRONT VIEW



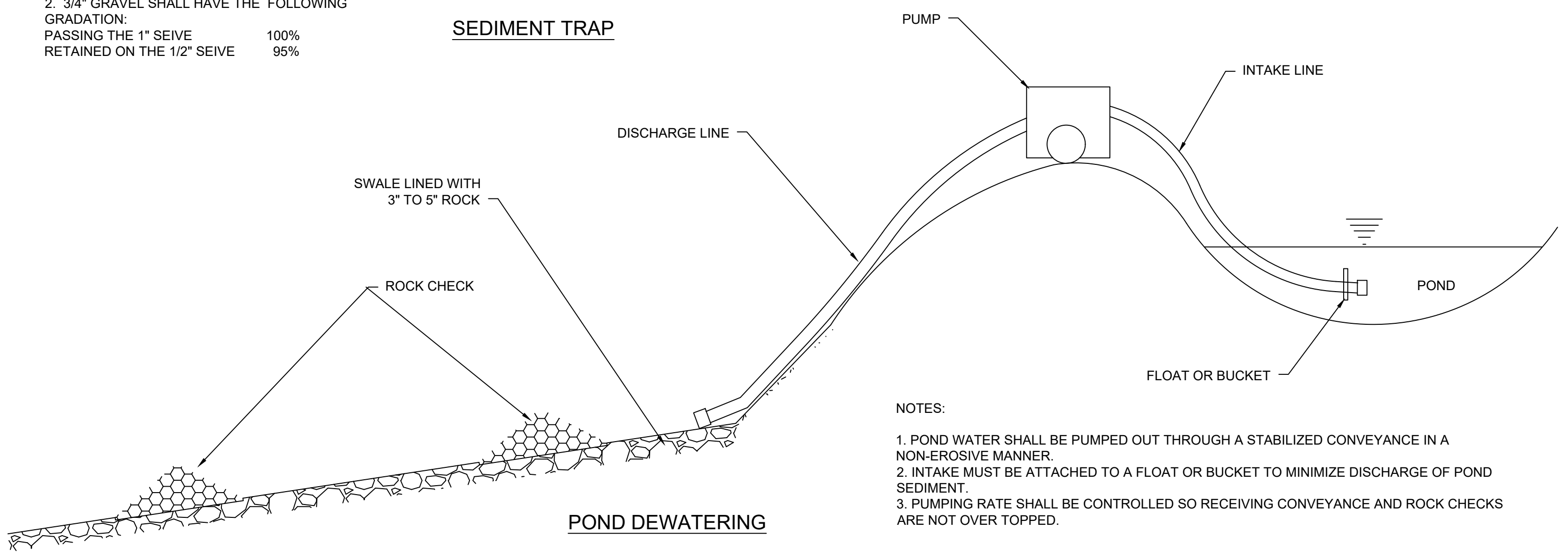
SIDE VIEW

NOTES:

1. EACH BAG IS TO CONSIST OF 3/4-INCH DIAMETER GRAVEL CONTAINED IN PERVIOUS BURLAP BAGS OR SYNTHETIC NET BAGS (1/8-INCH MECH) AND BE APPROXIMATELY 24 INCHES LONG, 12 INCHES WIDE, AND 6 INCHES HIGH.
2. 3/4" GRAVEL SHALL HAVE THE FOLLOWING GRADATION:

PASSING THE 1" SEIVE	100%
RETAINED ON THE 1/2" SEIVE	95%
3. WHEN SEDIMENT FILLS THE AREA BEHIND THE SILT FENCE TO 1/2 THE HEIGHT OF THE SILT FENCE, THE CONTRACTOR SHALL REMOVE THE SEDIMENT.
4. SIZE OF THE BASIN SHALL CONFORM TO DESIGN.

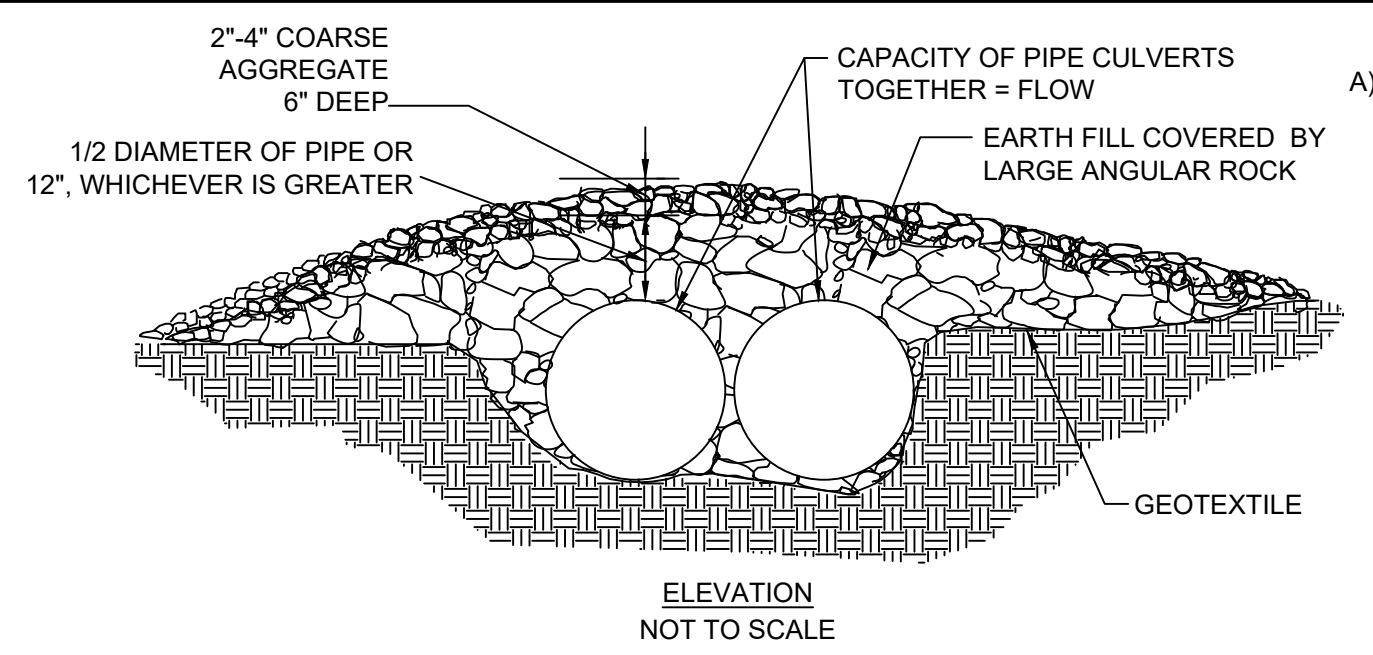
SEDIMENT TRAP



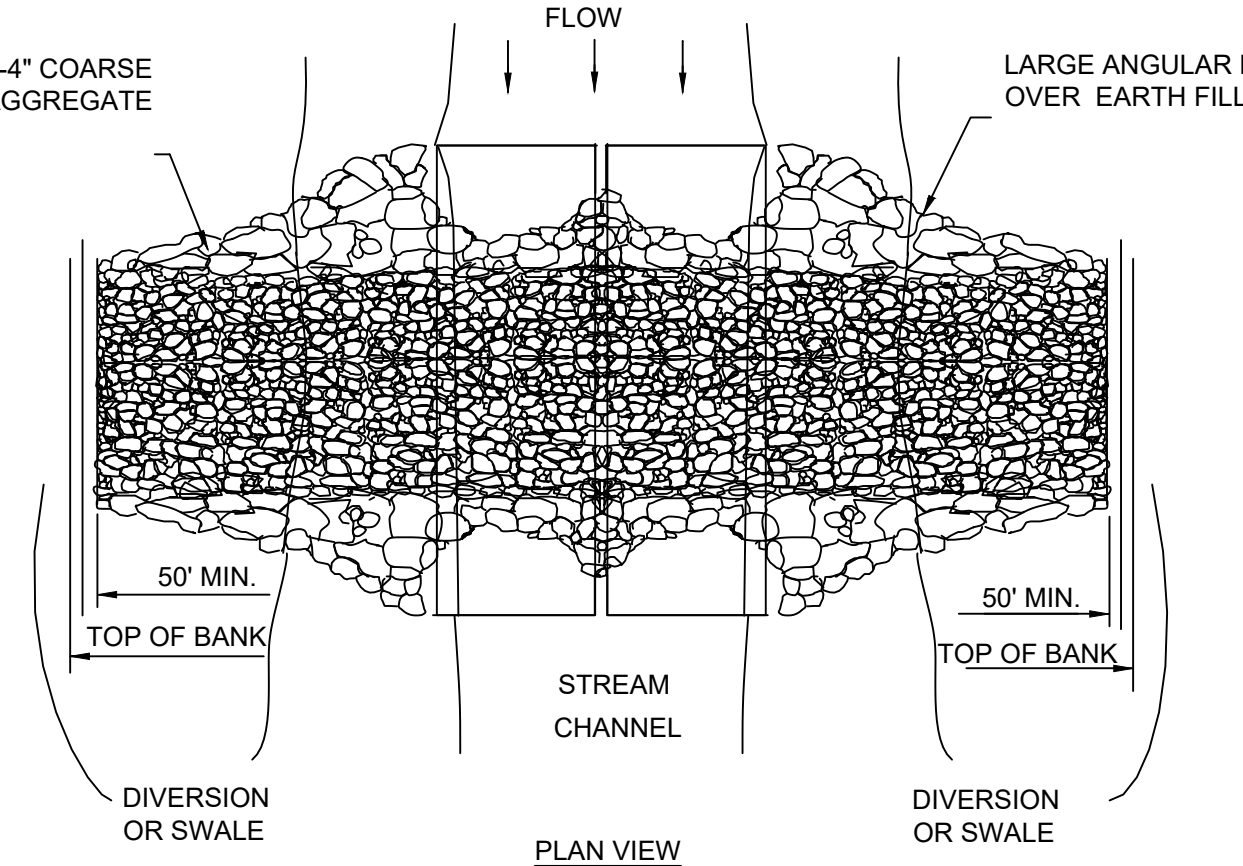
NOTES:

1. POND WATER SHALL BE PUMPED OUT THROUGH A STABILIZED CONVEYANCE IN A NON-EROSIVE MANNER.
2. INTAKE MUST BE ATTACHED TO A FLOAT OR BUCKET TO MINIMIZE DISCHARGE OF POND SEDIMENT.
3. PUMPING RATE SHALL BE CONTROLLED SO RECEIVING CONVEYANCE AND ROCK CHECKS ARE NOT OVER TOPPED.

POND DEWATERING



ELEVATION NOT TO SCALE



PLAN VIEW NOT TO SCALE

TEMPORARY STREAM CROSSING

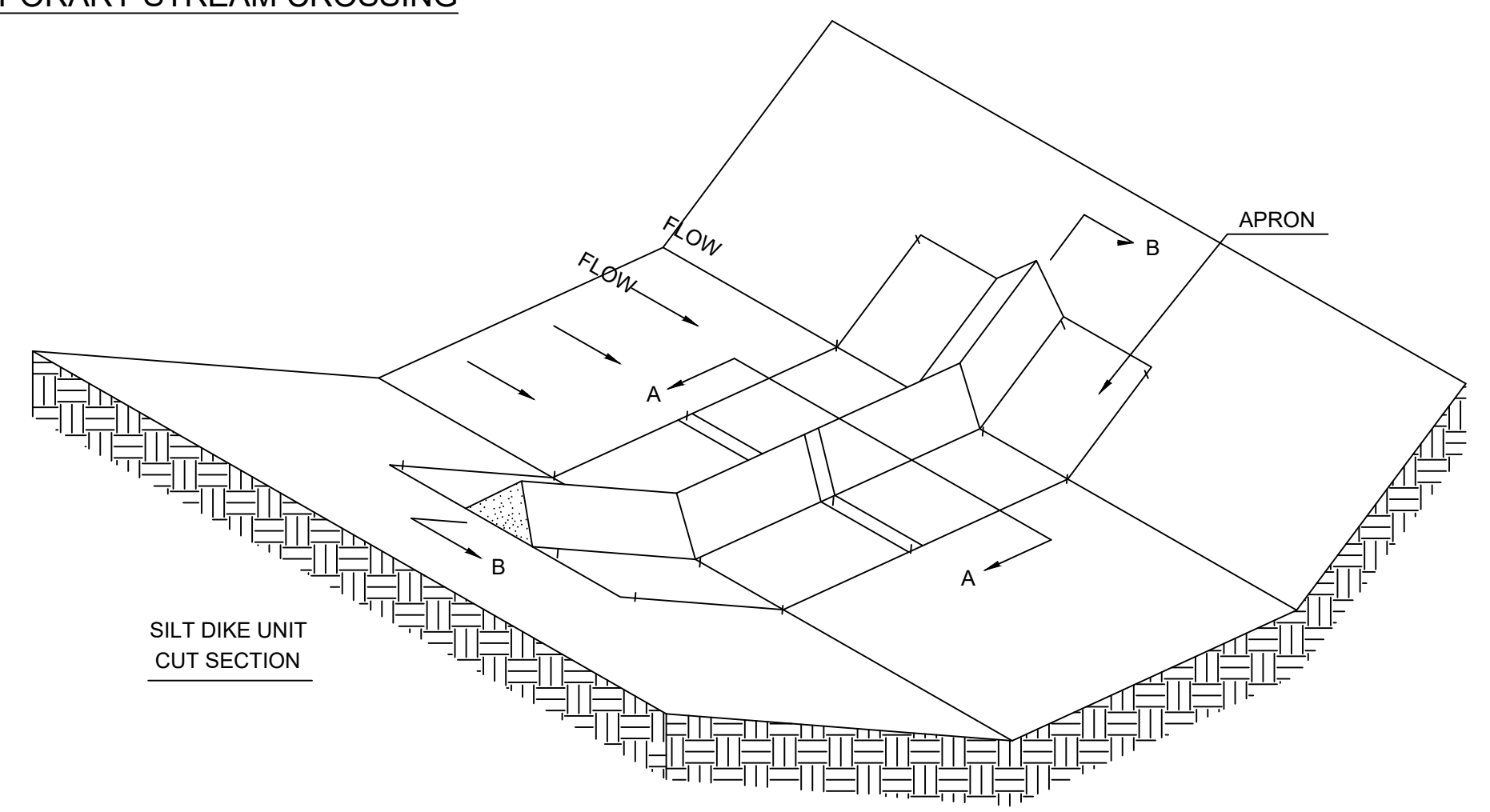
TEMPORARY CULVERT CROSSING NOTE:

A) GENERAL NOTES:

1. CLEARING AND EXCAVATION OF THE STREAM BED AND BANKS SHALL BE KEPT TO A MINIMUM.
2. THE INVERT ELEVATION OF THE CULVERT SHALL BE INSTALLED ON THE NATURAL STREAMBED GRADE TO MINIMIZE INTERFERENCE WITH FISH MIGRATION.
3. GEOTEXTILE SHALL BE PLACED ON THE STREAMBED AND STREAMBANKS PRIOR TO PLACEMENT OF THE PIPE CULVERT AND AGGREGATE. THE GEOTEXTILE SHALL COVER THE STREAMBED AND EXTEND A MINIMUM OF 6 INCHES AND A MAXIMUM OF 1 FOOT BEYOND THE END OF THE CULVERT AND BEDDING MATERIAL. FILTER CLOTH REDUCES SETTLEMENT AND IMPROVES CROSSING STABILITY.
4. THE CULVERT SHALL EXTEND A MINIMUM OF 1 FOOT BEYOND THE UPSTREAM AND DOWNSTREAM TOE OF THE AGGREGATE PLACED AROUND THE CULVERT. IN NO CASE SHALL THE CULVERT EXCEED 40 FEET IN LENGTH.
5. THE CULVERT SHALL BE COVERED WITH A MINIMUM OF 1 FOOT OF AGGREGATE. IF MULTIPLE CULVERTS ARE USED, THEY SHALL BE SEPARATED BY AT LEAST 12 INCHES OF COMPACTED AGGREGATE FILL.
6. WHEN THE CROSSING HAS SERVED ITS PURPOSE, ALL STRUCTURES INCLUDING CULVERTS, BEDDING, AND GEOTEXTILE MATERIALS SHALL BE REMOVED. REMOVAL OF THE STRUCTURE AND CLEAN-UP OF THE AREA SHALL BE ACCOMPLISHED WITHOUT CONSTRUCTION EQUIPMENT WORKING IN THE CHANNEL.
7. UPON REMOVAL OF THE STRUCTURE, THE STREAM SHALL IMMEDIATELY BE SHAPED TO ITS ORIGINAL CROSS-SECTION AND PROPERLY STABILIZED PER DETAIL D-504 (RESTORATION OF TEMPORARY STREAM CROSSING).

B) INSPECTION AND MAINTENANCE:

CARE MUST BE TAKEN TO INSPECT ANY STREAM CROSSING AREA AT THE END OF EACH DAY TO MAKE SURE THAT THE CONSTRUCTION MATERIALS ARE POSITIONED SECURELY. THIS WILL ENSURE THAT THE WORK AREA STAYS DRY AND THAT NO CONSTRUCTION MATERIALS FLOAT DOWNSTREAM.

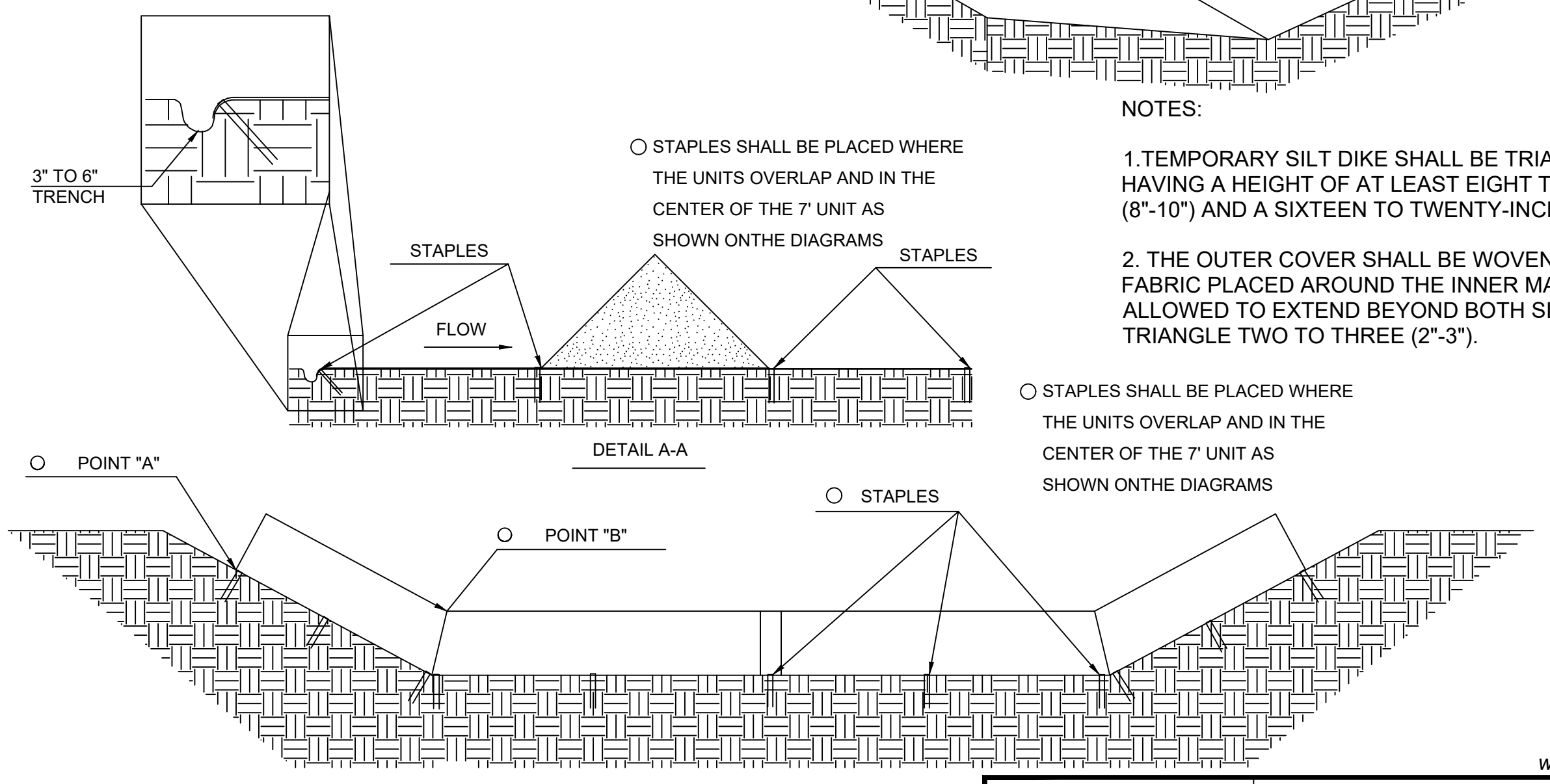


SILT DIKE UNIT CUT SECTION

NOTES:

1. TEMPORARY SILT DIKE SHALL BE TRIANGULAR-SHAPED, HAVING A HEIGHT OF AT LEAST EIGHT TO TEN INCHES (8"-10") AND A SIXTEEN TO TWENTY-INCH (16"-20") BASE.
2. THE OUTER COVER SHALL BE WOVEN GEOTEXTILE FABRIC PLACED AROUND THE INNER MATERIAL AND ALLOWED TO EXTEND BEYOND BOTH SIDES OF THE TRIANGLE TWO TO THREE (2"-3").

STAPLES SHALL BE PLACED WHERE THE UNITS OVERLAP AND IN THE CENTER OF THE 7' UNIT AS SHOWN ON THE DIAGRAMS

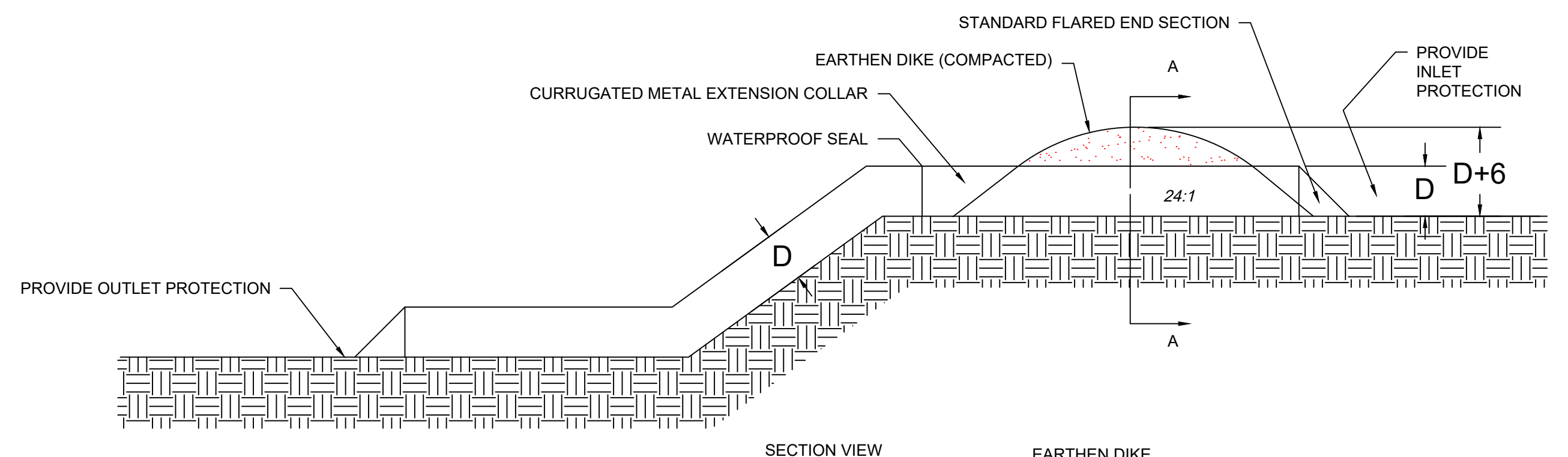


DETAIL A-A

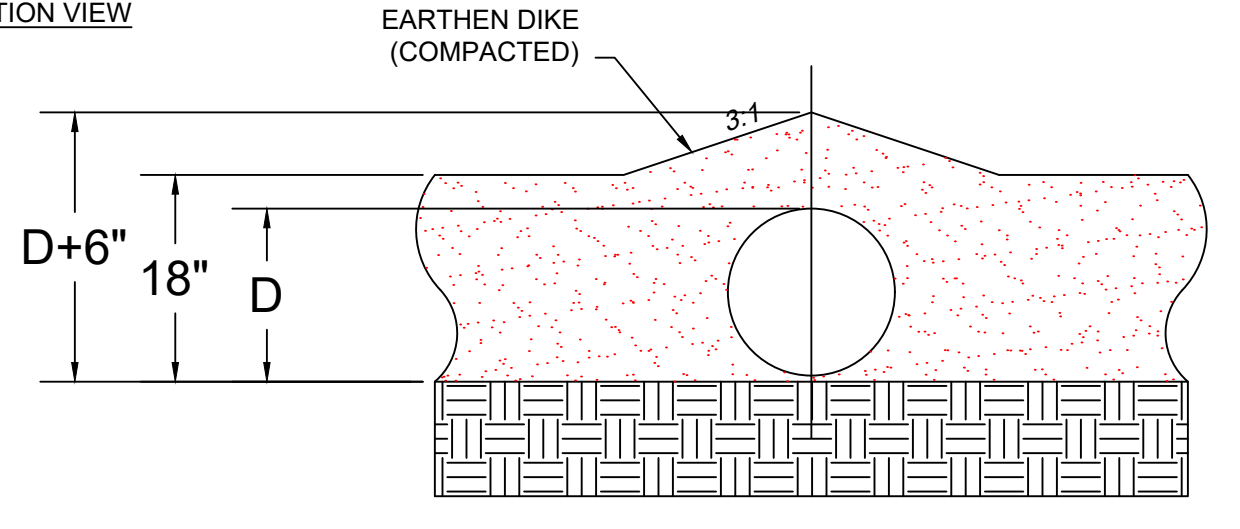
DETAIL B-B

INSTALLATION OF TRIANGULAR SILT DIKE

POINT "A" MUST BE HIGHER THAN POINT "B" TO ENSURE THAT WATER FLOWS OVER THE DIKE AND NOT AROUND THE ENDS.



SECTION VIEW



SECTION A-A

TEMPORARY SLOPE DRAIN

TEMPORARY SLOPE DRAIN GENERAL NOTES:

1. PLACE ON DISTURBED SOIL OR WELL-COMPACTED FILL.
2. THE ENTRANCE SECTION SHALL SLOPE TOWARD THE SLOPE DRAIN A-A A MINIMUM OF 1/2 INCH PER FOOT.
3. THE SOIL AROUND AND UNDER THE ENTRANCE SECTION SHALL BE HAND-TAMPED IN 8 INCH LIFT TO THE TOP OF THE DIKE TO PREVENT PIPING FAILURE AROUND THE INLET.
4. SEDIMENT MAY BE CONTROLLED AT THE OUTLET IF UPLAND PONDING WILL CREATE PROBLEMS.
5. THE CONTRACTOR SHALL AVOID THE PLACEMENT OF ANY MATERIAL ON AND PREVENT CONSTRUCTION TRAFFIC ACROSS THE SLOPE DRAIN.

REVISED DATE:	01/18
DETAILED:	BKC
APPROVED:	---

