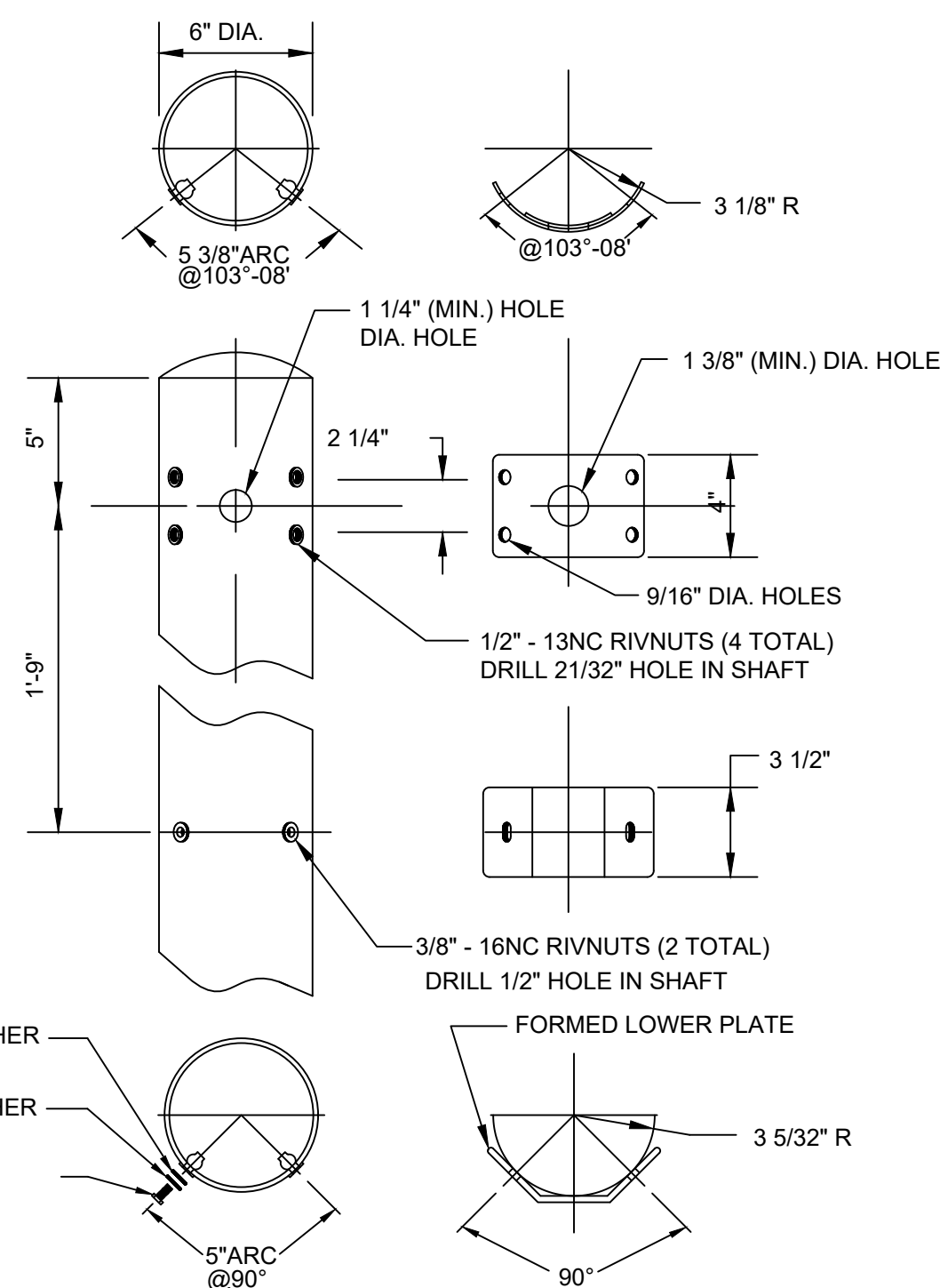
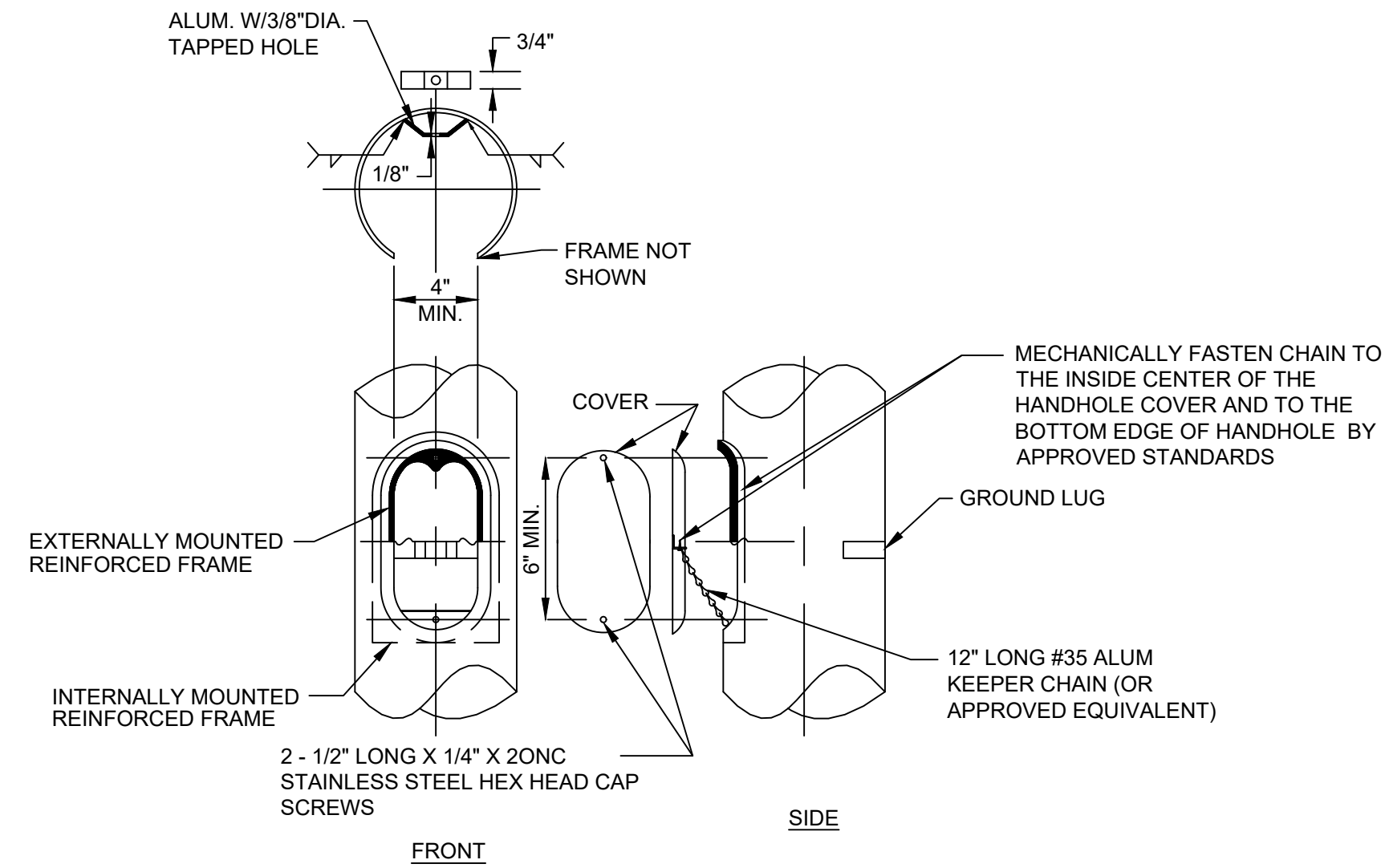


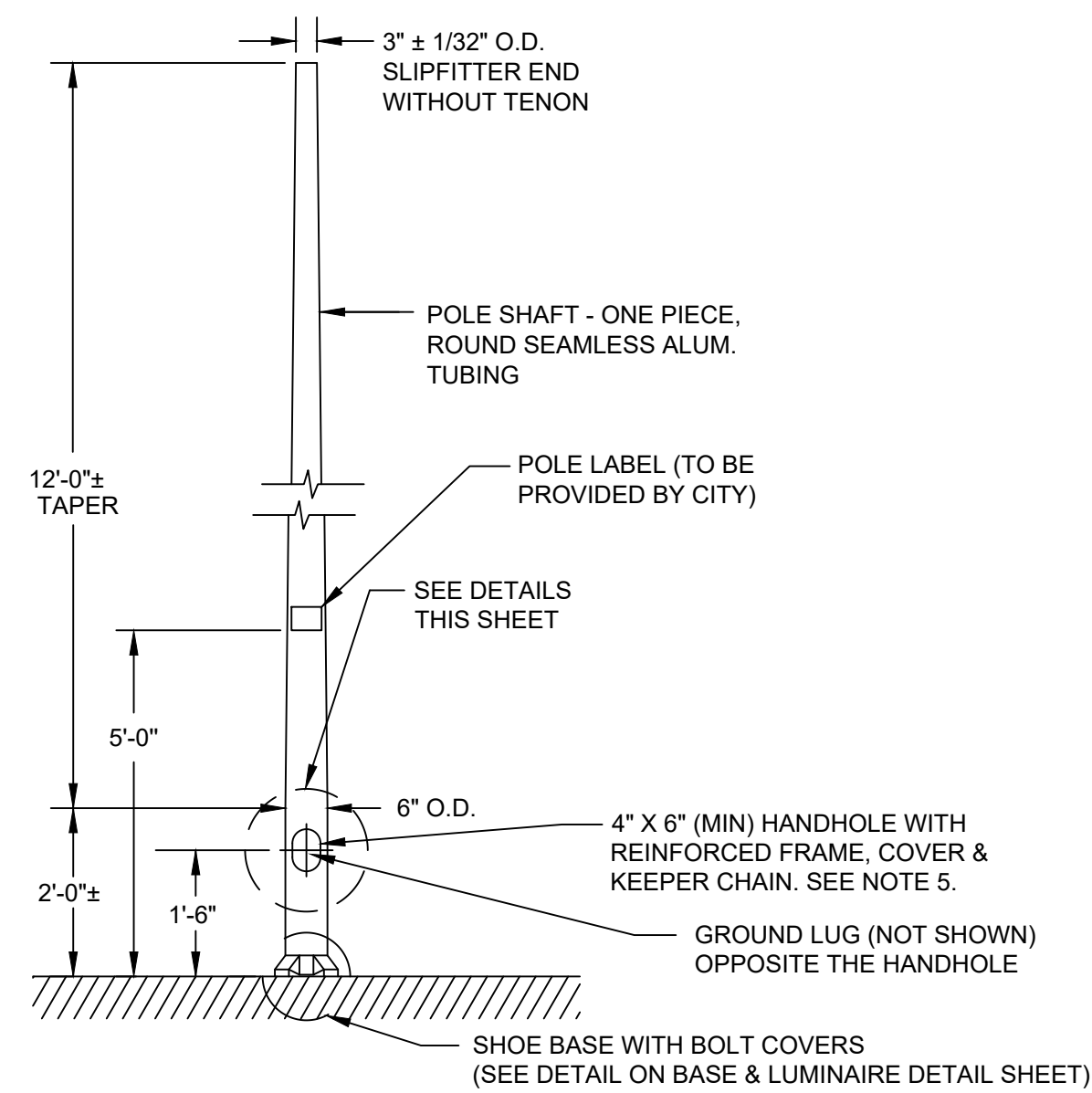
TYPE A - SINGLE MEMBER ARM



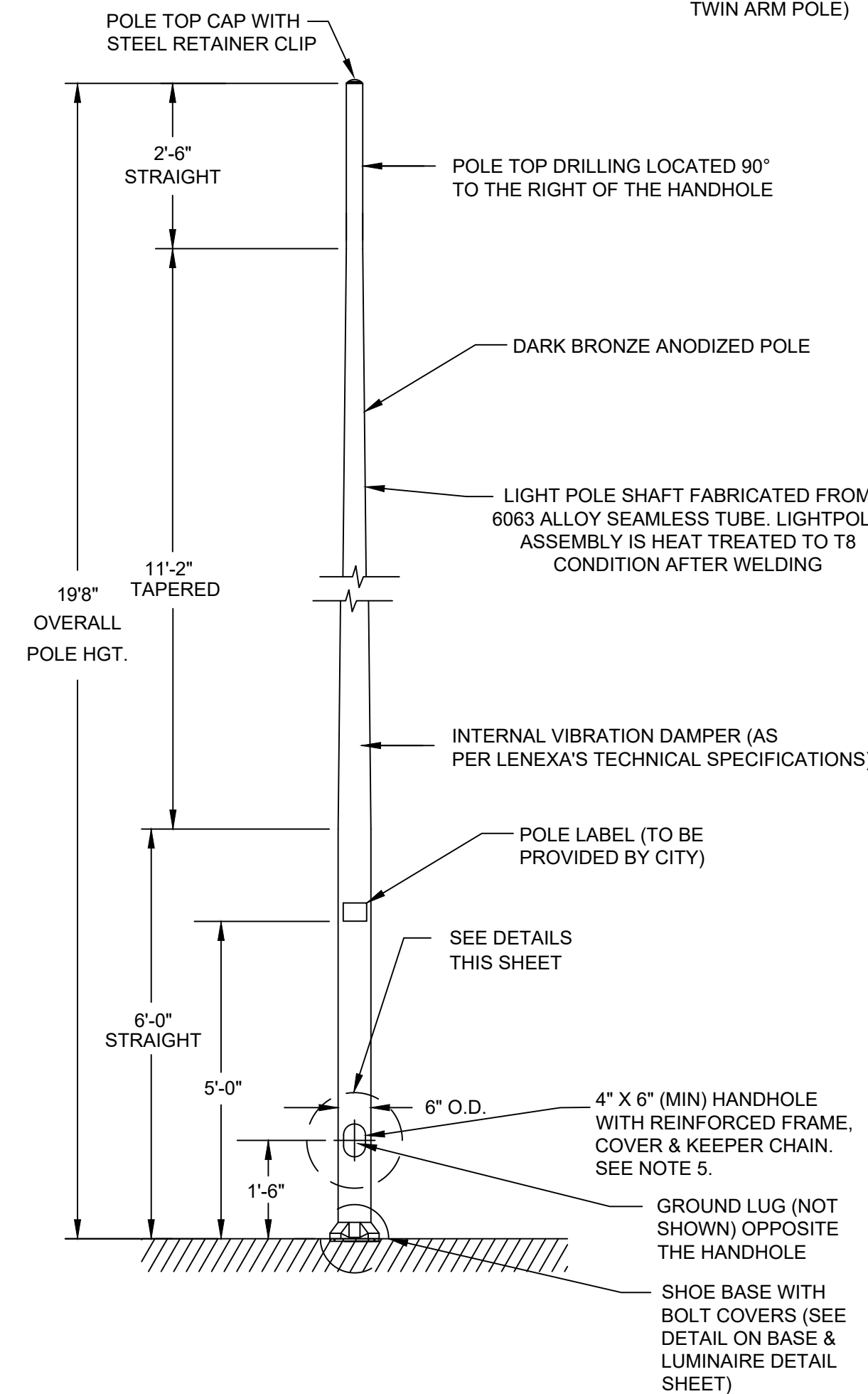
TYPE B - TRUSS ARM



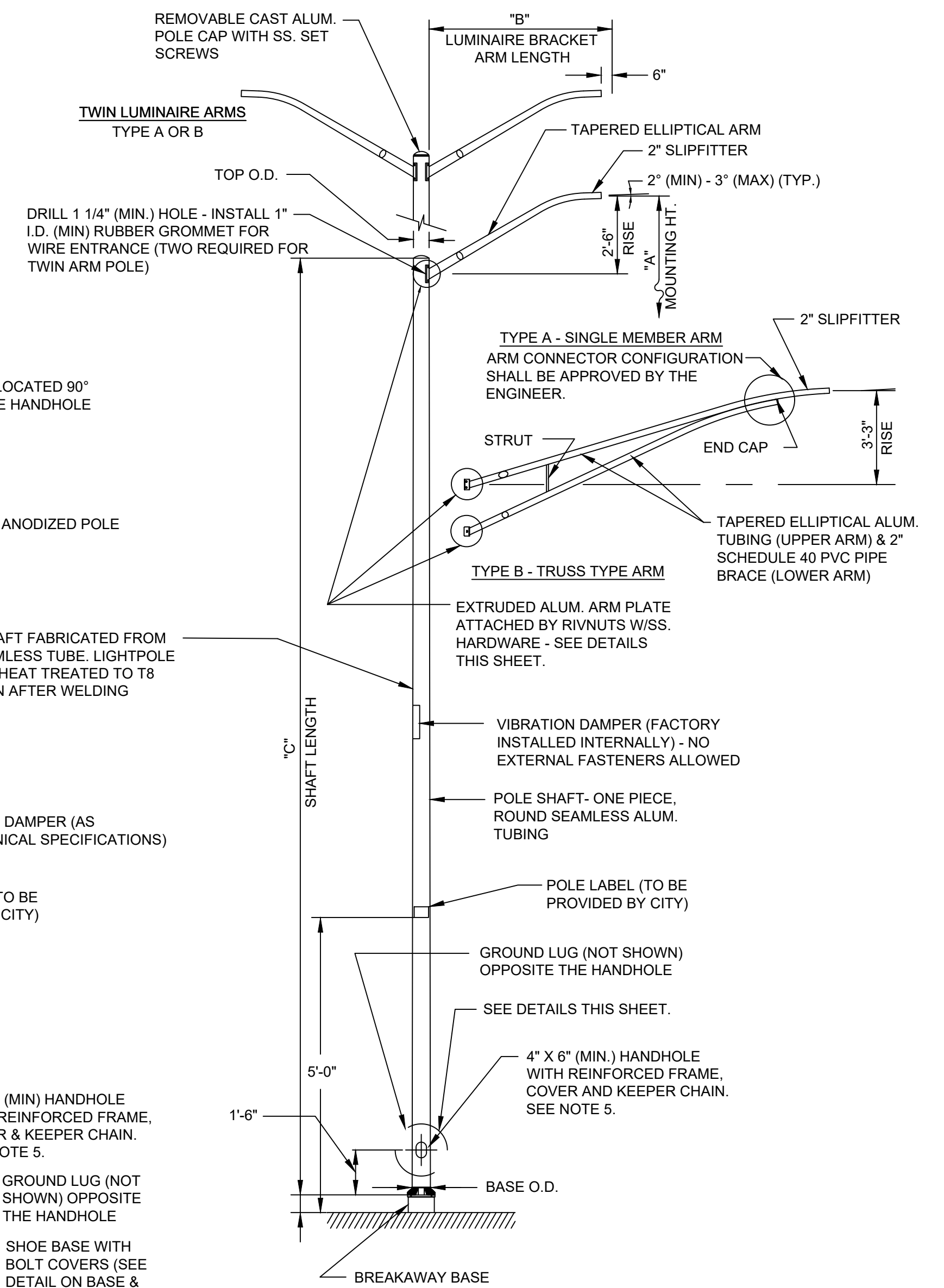
HANDHOLE



14' POLE ELEVATION
(SEE TABLE 1 FOR DESIGNATIONS & DIMENSIONS)



20' POLE ELEVATION
(SEE TABLE 1 FOR DESIGNATIONS & DIMENSIONS)



30' & 40' POLE ELEVATION
(SEE TABLE 1 FOR DESIGNATIONS & DIMENSIONS)

TABLE 1 - LUMINAIRE ARM, POLE, SHOE BASE & ANCHOR BOLT DATA

Designation	Mounting Height (A)	Luminaire Arm(s)		Type	Pole Shaft				Shoe Base		Anchor Bolt			Breakaway Base Type
		Length (B)			Base O.D.	Top O.D.	Min. Wall Thickness	Shaft Length (C)	Square (S)	Bolt Circle (BC)	Diameter	Length	Hook	
		Arm 1	Arm 2											
14	14	-	-	-	6"	3.0"	0.156"	14'-0"	9.75"	9.50"	1.00" 8NC	36"	4"	N/A
20	20	-	-	-	6"	4.5"	0.188"	19'-8"	9.75"	9.50"	1.00" 8NC	36"	4"	N/A
30-A-6	30	6	-	A	7"	4.5"	0.188"	27'-6"	10.50"	11.00"	1.00" 8NC	36"	4"	11"
30-A-8	30	8	-	A	7"	4.5"	0.188"	27'-6"	10.50"	11.00"	1.00" 8NC	36"	4"	11"
30-A-10	30	10	-	A	8"	6.0"	0.188"	26'-8"	11.25"	11.00"	1.00" 8NC	36"	4"	11"
30-A-8-8	30	8	8	A	8"	4.5"	0.188"	27'-6"	11.25"	11.00"	1.00" 8NC	36"	4"	11"
30-A-10-10	30	10	10	A	8"	6.0"	0.219"	26'-8"	11.25"	11.00"	1.00" 8NC	36"	4"	11"
40-A-6	40	6	-	A	8"	4.5"	0.219"	37'-6"	11.25"	11.00"	1.00" 8NC	36"	4"	11"
40-A-8	40	8	-	A	8"	4.5"	0.219"	37'-6"	11.25"	11.00"	1.00" 8NC	36"	4"	11"
40-A-10	40	10	-	A	8"	6.0"	0.219"	36'-8"	14.00"	11.00"	1.00" 8NC	48"	4"	11"
40-B-12	40	12	-	B	8"	6.0"	0.219"	36'-8"	14.00"	11.00"	1.00" 8NC	48"	4"	11"
40-B-15	40	15	-	B	8"	6.0"	0.219"	36'-8"	14.00"	11.00"	1.00" 8NC	48"	4"	11"
40-A-8-8	40	8	8	A	8"	4.5"	0.250"	37'-6"	11.25"	11.00"	1.00" 8NC	36"	4"	11"
40-B-8-12	40	8	12	B	10"	6.0"	0.219"	36'-8"	14.00"	14.50"	1.00" 8NC	48"	4"	15"
40-B-12-12	40	12	12	B	10"	6.0"	0.219"	36'-8"	14.00"	14.50"	1.00" 8NC	48"	4"	15"
40-B-15-15	40	15	15	B	10"	6.0"	0.219"	36'-8"	14.00"	14.50"	1.00" 8NC	48"	4"	15"

GENERAL NOTES:

- THE ALUMINUM LIGHTING STANDARD INCLUDING ANCHORAGE WITH LUMINAIRE PROPERLY INSTALLED SHALL BE IN ACCORDANCE WITH THE 1994 AMERICAN ASSOCIATION OF HIGHWAY AND TRANSPORTATION OFFICIALS (AASHTO) FOR 80 MPH WIND AND A LUMINAIRE SIZE OF 1.3 SQ. FT. MIN. EFFECTIVE PROJECTED AREA WEIGHING 55 LB. MIN.
- THE INTENT OF THESE MATERIAL RESTRICTIONS IS TO PROVIDE INTERCHANGEABILITY OF BOTH TYPES OF LUMINAIRE ARMS FOR MOUNTING ON EITHER THE 30' OR 40' POLE.
- ANCHOR BOLTS/THREADED STUDS SHALL PROJECT ABOVE THE FOUNDATION AS PER MANUFACTURER'S RECOMMENDED PRACTICES - 2.5" TO 3".
- ALL CIRCUIT CABLES IN BOXES AND POLES SHALL BE IDENTIFIED WITH COLOR-CODED TAPE AS FOLLOWS: FROM CONTROLLER: TAPE COLOR CODE RED INTO LIGHTPOLE: TAPE COLOR CODE RED OUT OF LIGHTPOLE: TAPE COLOR CODE BLUE GROUND CABLE: TAPE COLOR CODE WHITE
- THE HANDHOLE SHALL BE ORIENTED 180 DEGREES FROM THE LUMINAIRE ARM.
- CONTRACTOR SHALL PLACE GREEN WIRE FROM THE LUMINAIRE TO THE GROUND LUG IN THE POLE.
- DISTRIBUTION CABLE SHALL BE COLOR-CODED BLACK/RED/WHITE.

