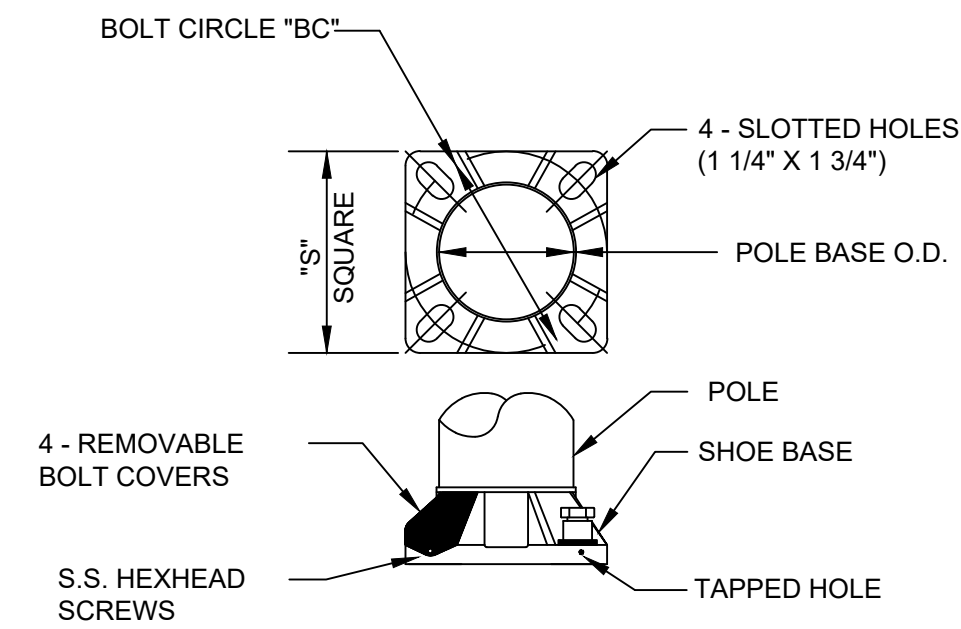


TENON & MOUNTING ARM DETAIL



NOTE:
SEE TABLE 1 ON POLE
DETAILS STANDARD SHEET.

SHOE BASE

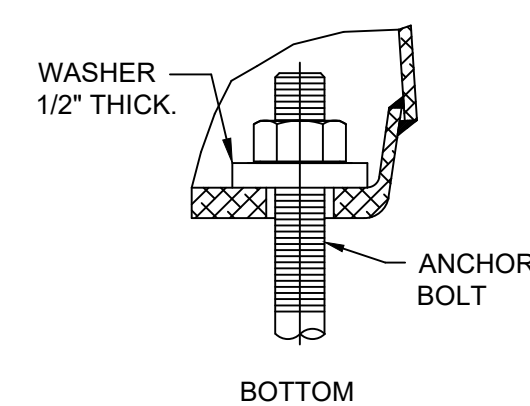
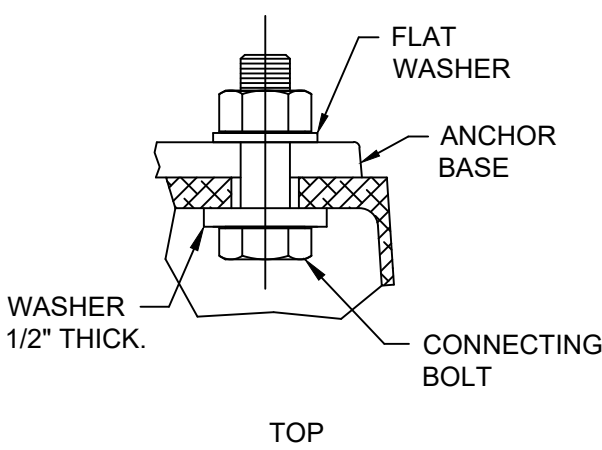
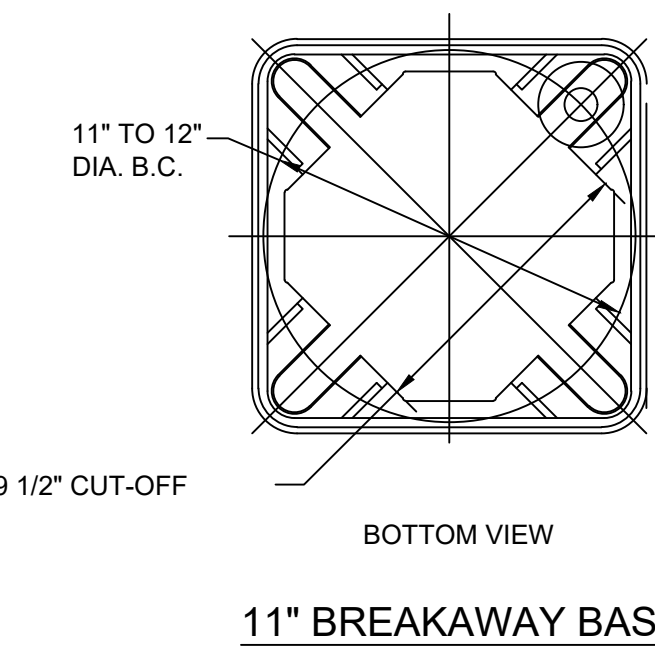
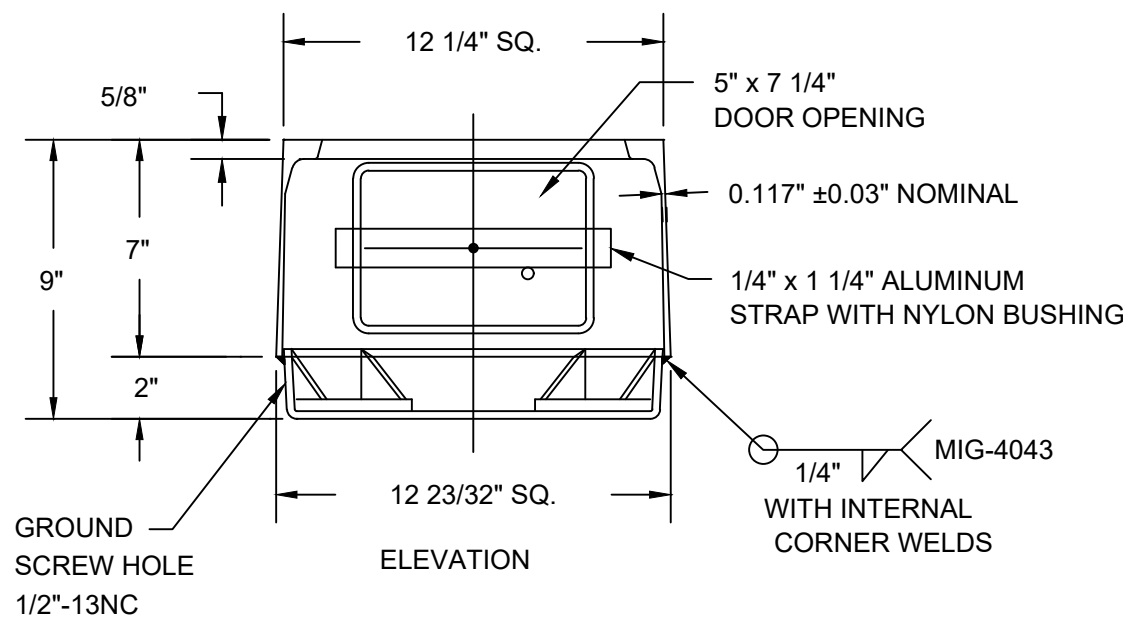
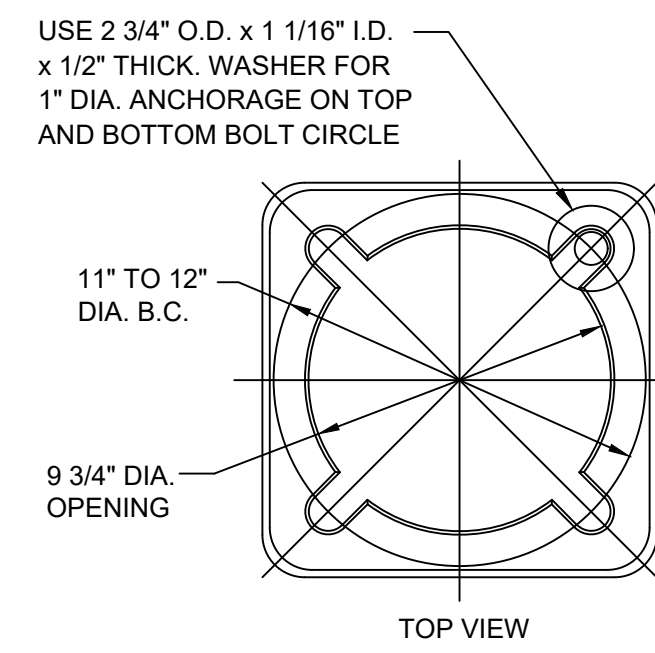
MATERIAL DATA

| COMPONENT | ALUMINUM ALLOY DESIGNATION | SPECIFICATION |
|--|-----------------------------|--|
| SHOE BASE | 356-T6, CAST | ASTM B26 OR B108 |
| BREAKAWAY BASE | 356-T6 | ASTM B108 |
| BOLT COVERS | 356 or 360, CAST | ASTM B26 OR B108 |
| POLE SHAFT | 6063-T6, EXTRUDED | ASTM B221 OR B241 |
| GROUND LUG | 6061-T5 or 6063-T6, PLATE | ASTM B221 |
| REINFORCED HANDHOLE FRAME | 356-T6 or 6061-T6 | ASTM B26, B208 OR B221 |
| HANDHOLE COVER | 6063-T6 | ASTM B209, B221 OR B241 |
| LUMINAIRE ARM & TUBING PIPES * | 6063-T6 | ASTM B221, B241 OR B429 |
| LUMINAIRE ARM PLATE | 6061-T6 OR 6063-T6 EXTRUDED | ASTM B221 |
| LUMINAIRE ARM STRUT* & ARM CONNECTOR * | 6061-T6 OR 6063-T6 EXTRUDED | ASTM B221, B241 OR B429 |
| POLE CAP | 356, CAST | ASTM B26 OR B108 |
| ANCHOR BOLTS | NA | ASTM A-576 STEEL, GALVANIZED PER ASTM A-153 |

*TRUSS-TYPE LUMINAIRE ARMS (TYPE B) ONLY.

BASE & LUMINAIRE NOTES

- POLE SHAFT SHALL HAVE A SATIN GROUND FINISH.
- ALL HARDWARE (BOLTS, NUTS, WASHERS BUT NOT INCLUDING ANCHOR BOLTS) NOT OTHERWISE SPECIFICALLY DESIGNATED IN THE SPECIFICATIONS OR DETAILS SHALL BE ALUMINUM OR 300-SERIES PASSIVATED STAINLESS STEEL.
- ANCHOR BOLTS-GALV. STEEL ANCHOR BOLTS WITH 50,000 PSI MINIMUM YIELD; TOP 10" MIN. GALVANIZED; INC. ONE NUT EACH AND TWO FLAT WASHERS GALVANIZED TO ASTM A-153 STANDARDS (4 BOLTS, 4 NUTS, & 8 WASHERS TO BE PROVIDED WITH EACH POLE). ANCHOR BOLTS SHALL BE USED WITH CONCRETE FOUNDATIONS-THREADED STUD (SEE POLE FOUNDATION DETAIL SHEET) SHALL BE USED WITH SCREW-IN FOUNDATION ANCHOR.
- ALL WELDING IS TO BE DONE WITH 4043 WELD WIRE. ALL ARMS AND SHAFTS ARE TO BE HEAT-TREATED TO T6 TEMPER AFTER WELDING.
- ALL POLES, ARMS, AND MISCELLANEOUS EQUIPMENT SHALL CONFORM TO THESE DETAILS AND AS SPECIFIED IN THE LATEST EDITION OF THE STREET LIGHTING SPECIFICATION. THE POLES AND ARMS SHALL BE DIMENSIONED TO ENABLE INTERCHANGEABILITY.
- THE ALUMINUM LIGHTING STANDARD INCLUDING ANCHORAGE WITH LUMINAIRE PROPERLY INSTALLED SHALL BE IN ACCORDANCE WITH THE 1994 AMERICAN ASSOCIATION OF HIGHWAY AND TRANSPORTATION OFFICIALS (AASHTO) FOR 80 MPH WIND AND A LUMINAIRE SIZE OF 1.3 SQ.FT. MIN. EFFECTIVE PROJECTED AREA WEIGHING 55 LB. MIN.



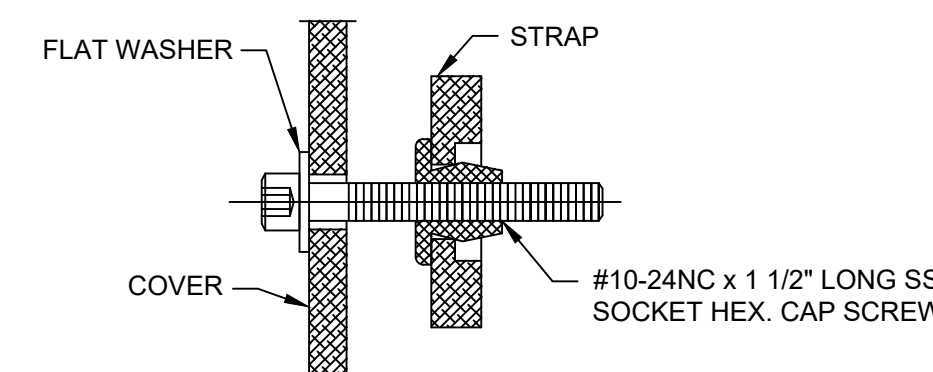
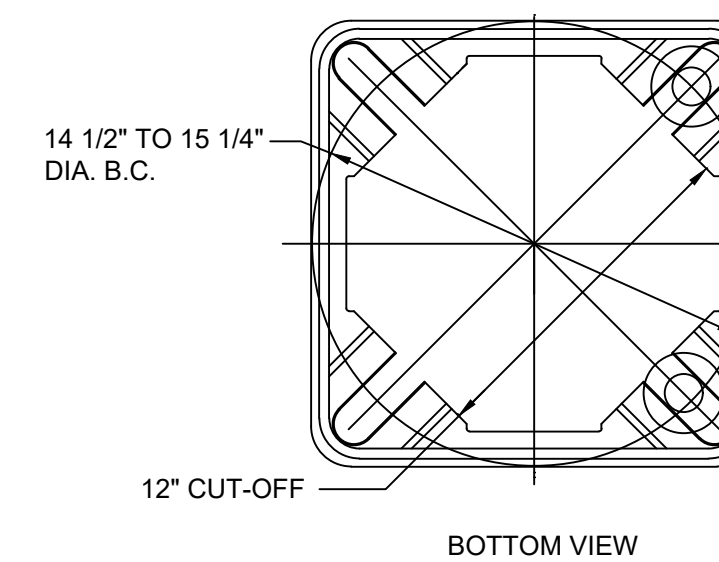
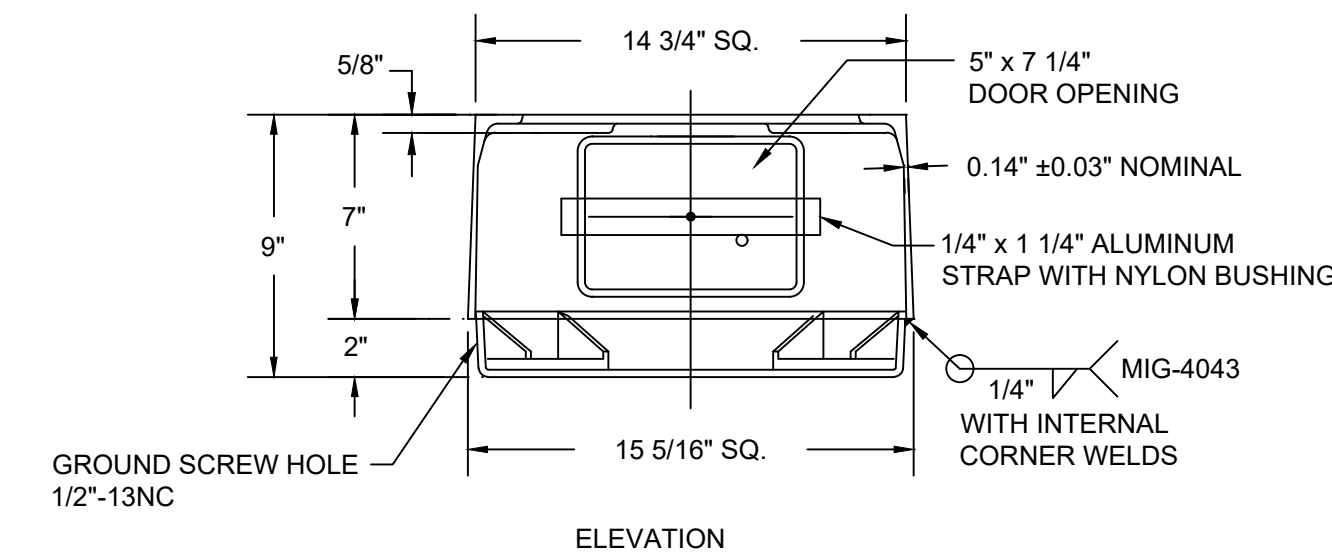
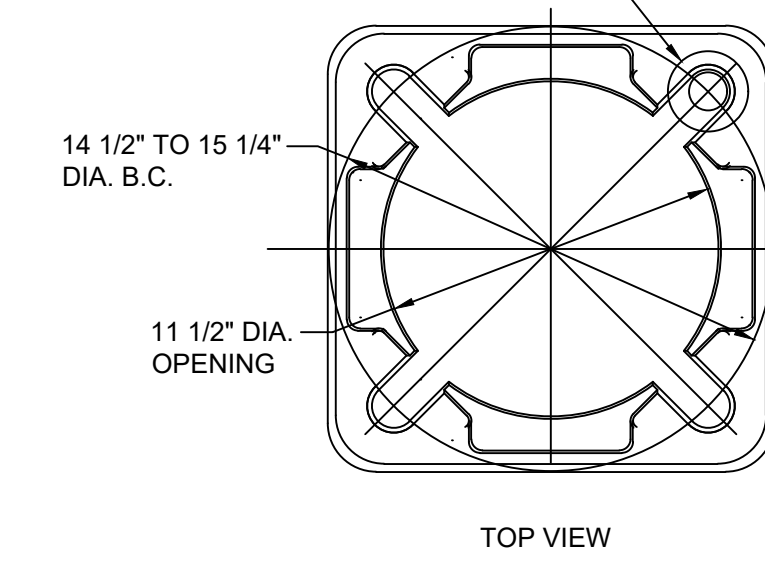
MULTI-TAP CONNECTOR
NOTE:
MORRIS 97513 OR APPROVED EQUAL

CONNECTING BOLTS
4- 1"-8NC x 3 1/2" LONG
GALV. HEX. HEAD BOLT
SAE GR. 2
4- 1" GALV. WASHER
2 1/2" O.D.
4- 1" GALV. HEX. NUT

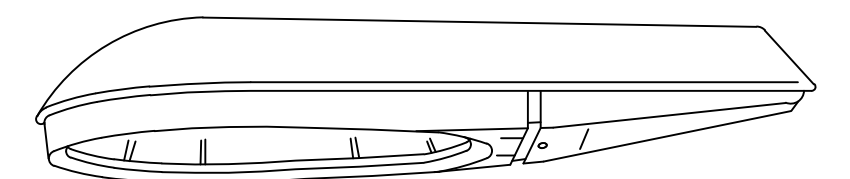
MATERIAL SHALL CONFORM TO ASTM
DESIGNATION: B108 ALLOY 356-T6

BASE CONFORMS TO BREAKAWAY CRITERIA
OF AASHTO STANDARD SPECIFICATIONS
FOR STRUCTURAL SUPPORTS FOR
HIGHWAY SIGNS, LUMINAIRES AND
TRAFFIC SIGNALS (1994)

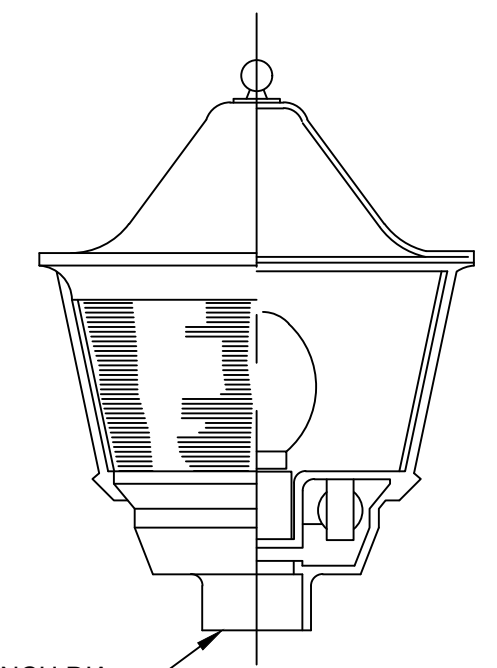
USE 2 3/4" O.D. x 1 5/16" I.D. x 1/2" THICK.
WASHER FOR 1 1/4" DIA. ANCHORAGE
ON TOP AND BOTTOM BOLT CIRCLE



**BREAKER-TYPE FUSE
CONNECTOR DETAIL**



COBRAHEAD LUMINAIRE



POST TOP LUMINAIRE

3-INCH DIA.
SLIPFITTER

www.lenexa.com 2017

| | | |
|-------------------------------------|-------|----------------|
| REVISED DATE: | 08/17 | |
| DETAILED: | BKC | |
| APPROVED: | --- | |
| BASE & LUMINAIRE DETAILS | | SHEET D-703 |