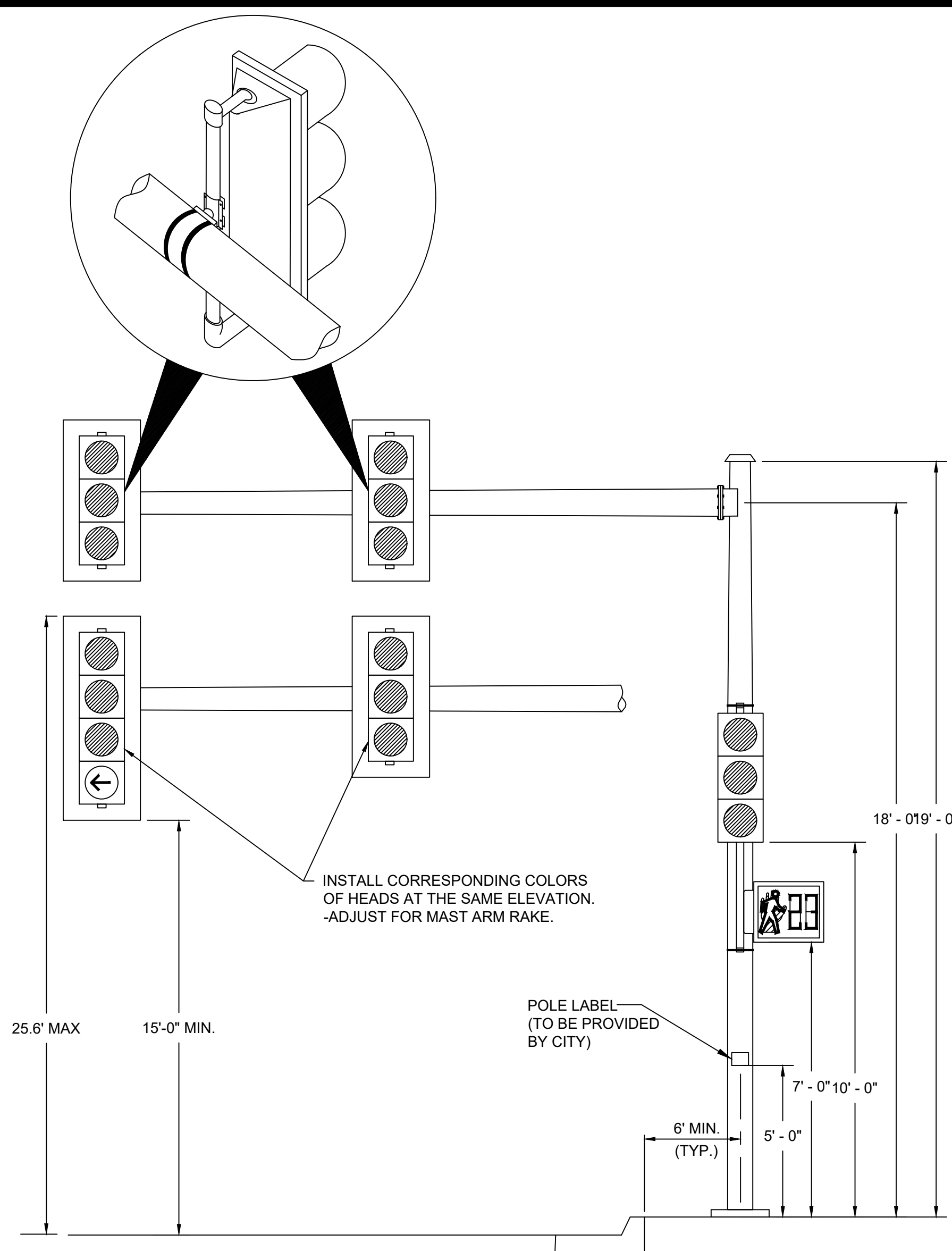
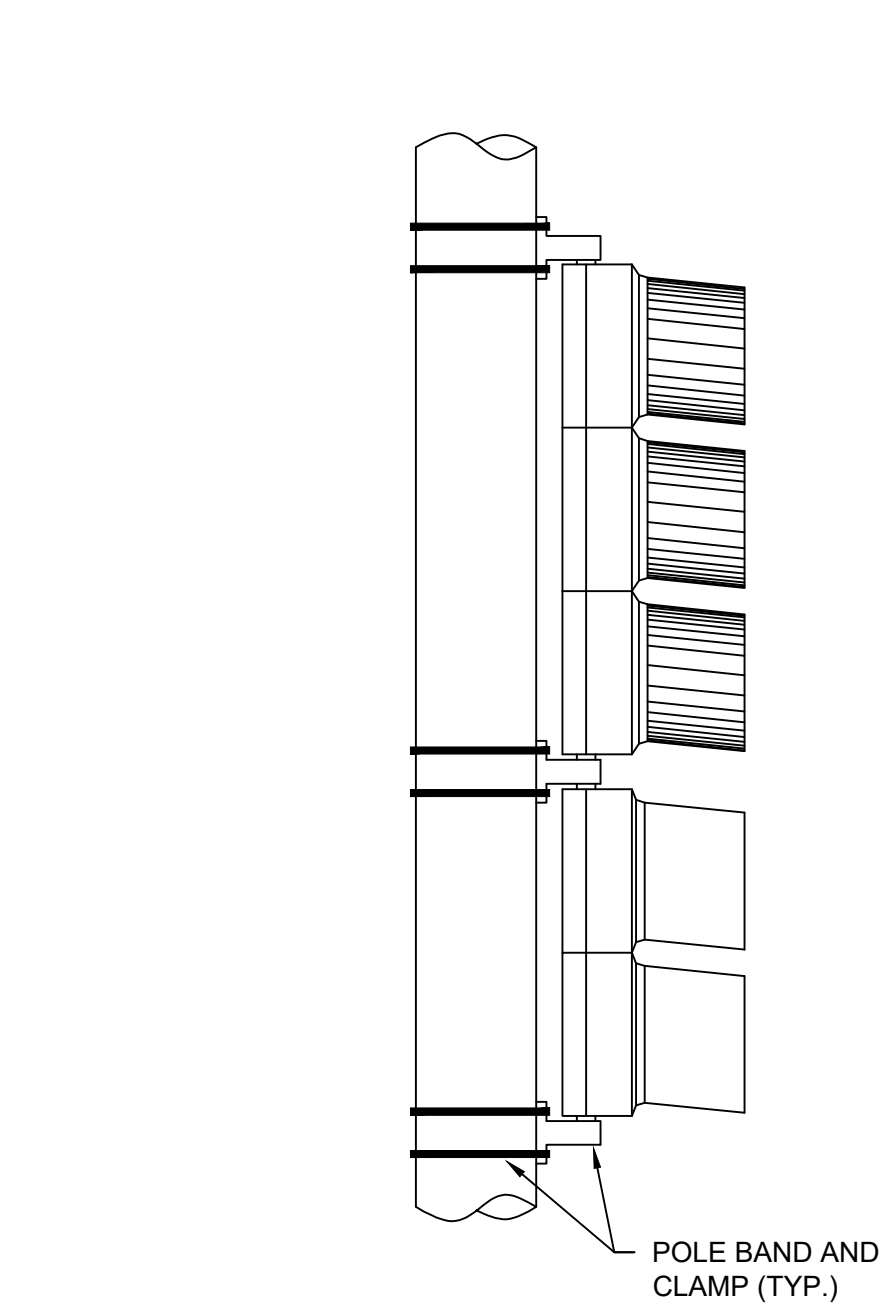
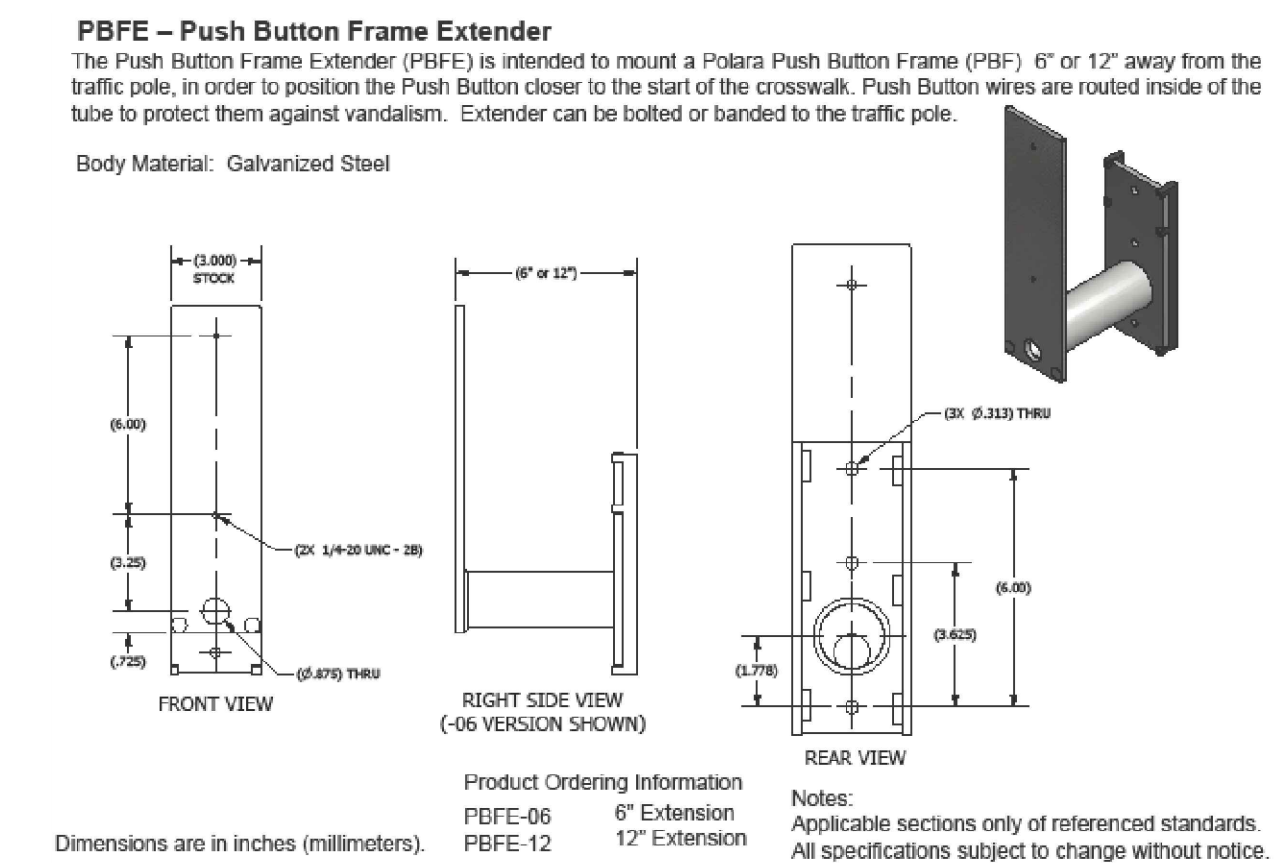


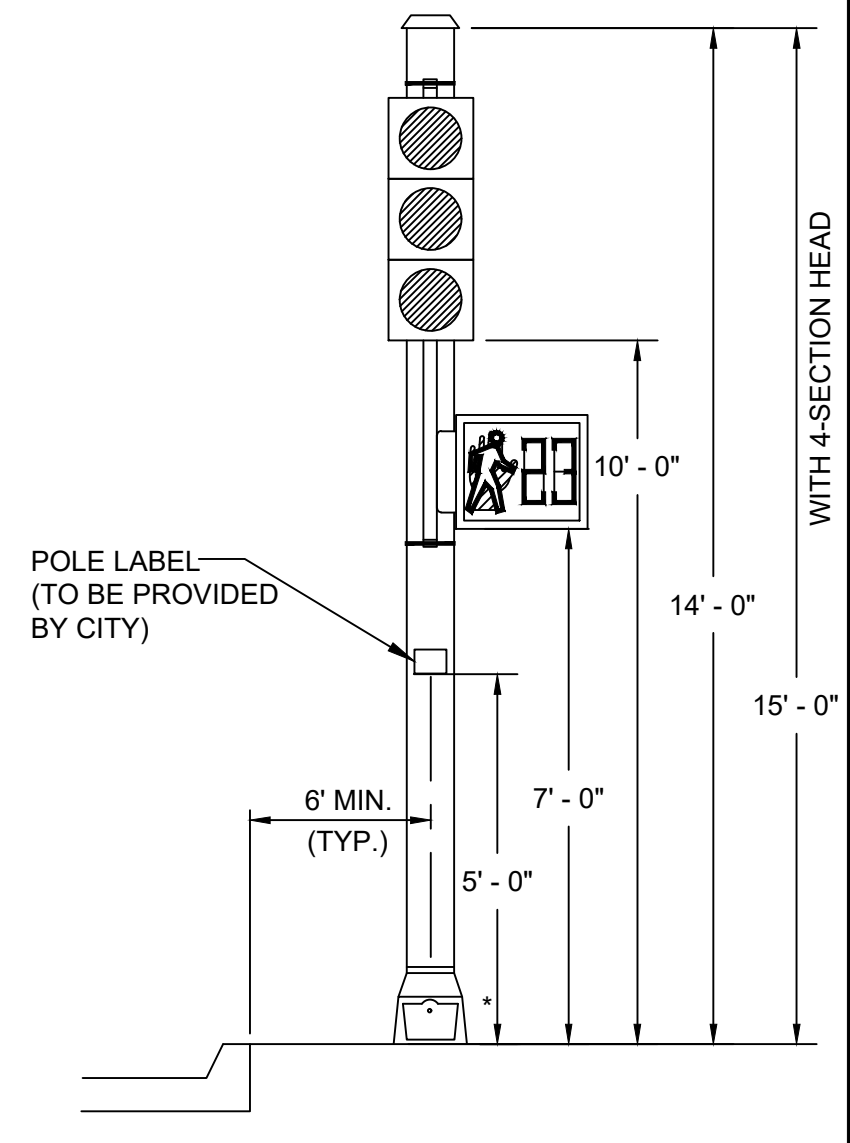
**STEEL COMBINATION LIGHTING AND SIGNAL POLE**



**STEEL SIGNAL POLE**

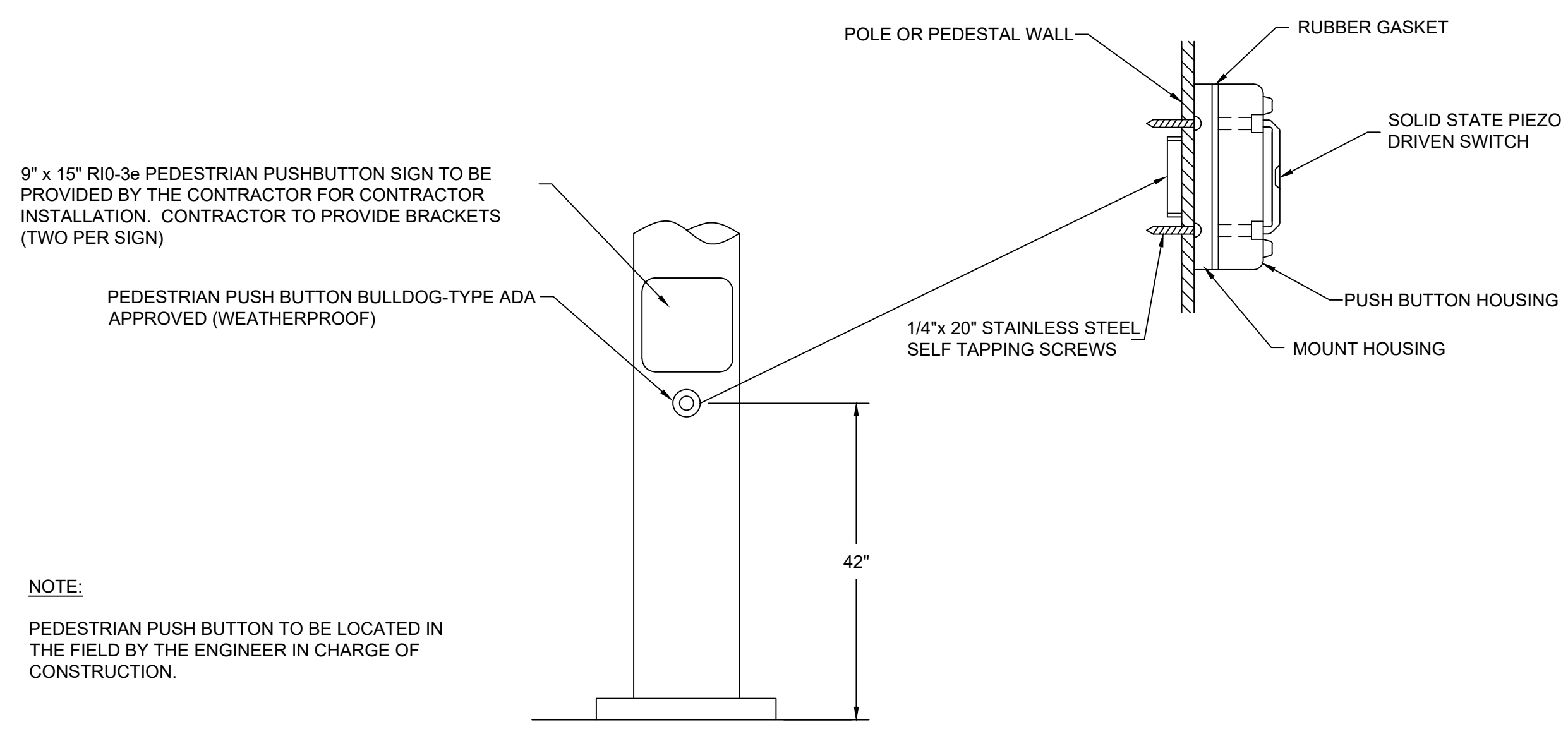


**VERTICAL BRACKET MOUNTING DETAIL**

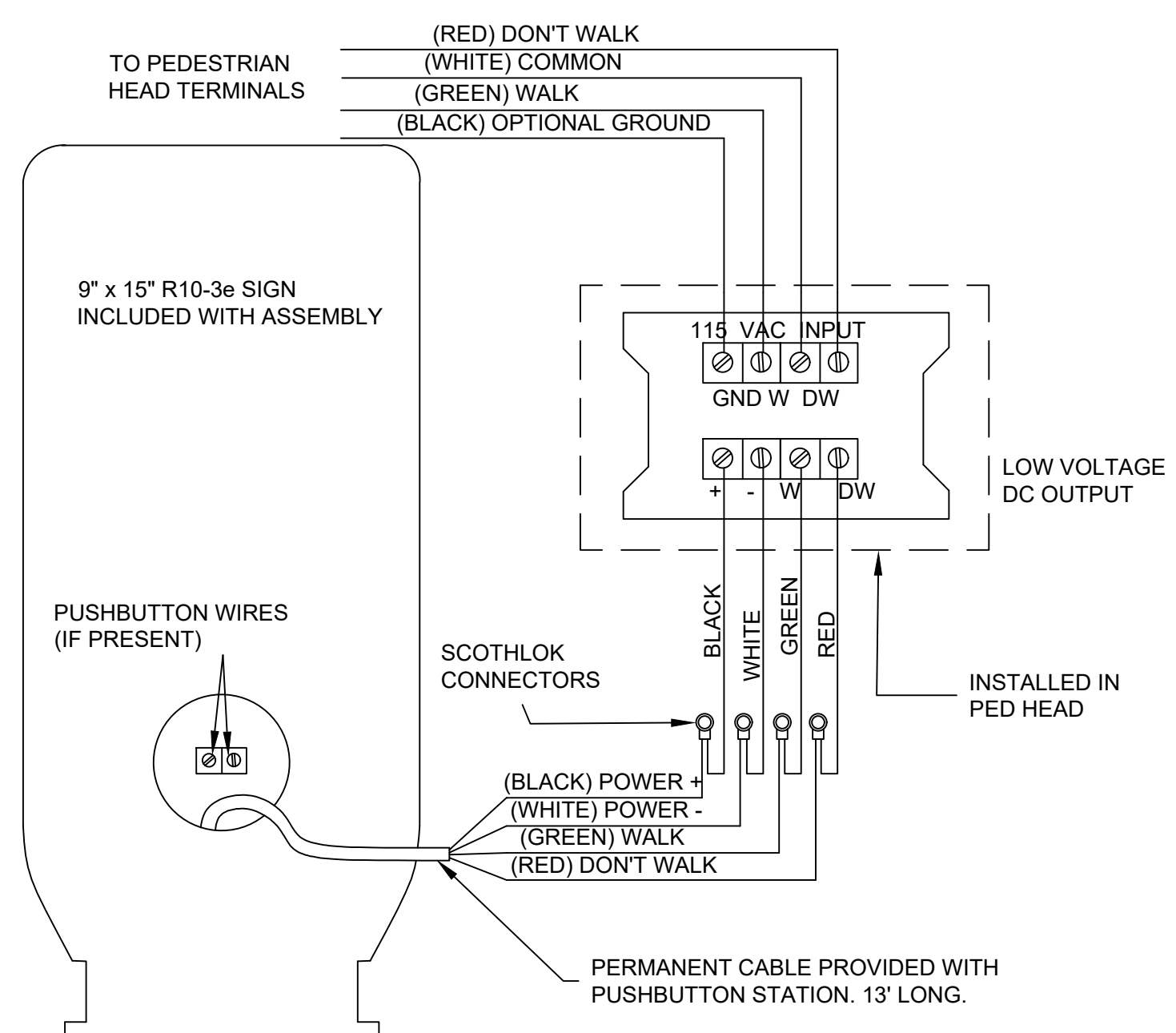


**ALUMINUM SIGNAL PEDESTAL**

- NOTES:**
1. THE MAST ARM SHALL BE ATTACHED TO THE POLE AFTER THE POLE HAS BEEN ERECTED.
  2. THE ENGINEER IN CHARGE OF CONSTRUCTION WILL DETERMINE THE ORIENTATION OF SIGNAL HEADS TO BE MOUNTED ON THE SIDES OF POLES.
  3. EACH SIGNAL HEAD, PUSH BUTTON AND LUMINAIRE SHALL HAVE A SEPARATE RUN(S) OF CABLE FROM THE HANDHOLE IN THE POLE BASE. UNLESS OTHERWISE NOTED IN THE PLANS, THE CABLES SHALL BE SIZED AS FOLLOWS:  
VEHICULAR SIGNAL HEAD- ONE 7c  
PEDESTRIAN SIGNAL HEAD- ONE 7c  
PUSH BUTTON- ONE 5c  
LUMINAIRE- ONE 3c
  4. ALL SIGNS SHALL BE MOUNTED WITH ASTRO-BRACKETS.
  5. EACH VEHICULAR SIGNAL HEAD SHALL BE COVERED WITH AN ORANGE BAG SIGNAL HEAD COVER DURING CONSTRUCTION UNTIL THE SYSTEM IS MADE OPERATIONAL.



**NOTE:**  
PEDESTRIAN PUSH BUTTON TO BE LOCATED IN THE FIELD BY THE ENGINEER IN CHARGE OF CONSTRUCTION.



www.lenexa.com 2017

REVISED DATE:	08/17
DETAILED:	BKC
APPROVED:	---

**Lenexa**  
KANSAS

**POLES SIGNAL HEAD PUSH BUTTON**

SHEET D-806